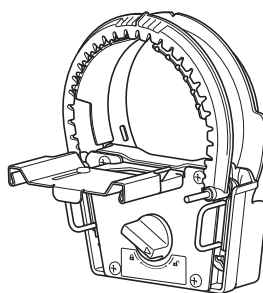
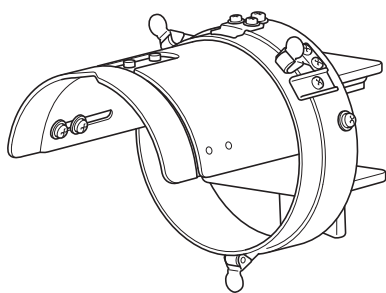
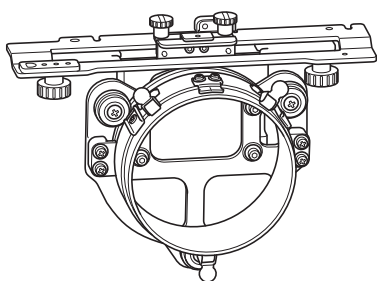


Cap Frame Set User Manual

帽框说明书

帽子枠セット取扱説明書

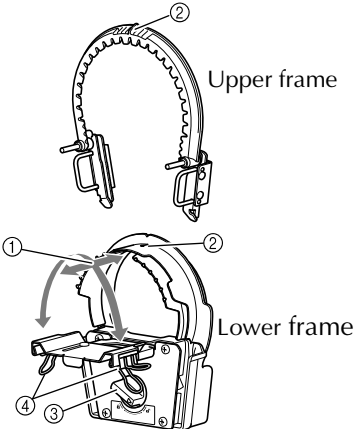
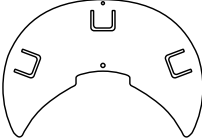
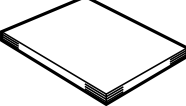
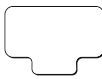
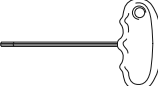
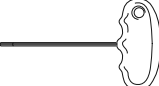


Using the Cap Frame

By using the cap frame, patterns can be embroidered onto caps and hats. The procedures for using the cap frame are described below.

Cap frame and its accessories

Check that the following cap frame, cap frame driver, cap frame mounting jig and the accessories are included. If any item is missing or damaged, contact your sales representative.

<p>Cap frame: Upper frame/Lower frame</p> <ol style="list-style-type: none"> ① Embroidering area: 130 mm (W) × 60 mm (H) (5-1/8 inches (W) × 2-3/8 inches (H)) ② Marks indicating the center of the embroidering area ③ Lock knob ④ Clips <p>Used when attaching and removing the upper frame.</p> <p>Found here when the frame is purchased. Use to attach the cap to the cap frame.</p>	<p>Cap frame driver and 4 thumb screws</p> <p>In order to install the cap frame onto the carriage, remove the embroidery frame holder, and then attach this cap frame driver to the carriage of the machine.</p> <ol style="list-style-type: none"> ① Install the thumb screws in these holes and tighten the screws to secure the movable section. Use these holes when storing this cap frame driver. ② Holding springs <p>The cap frame is secured with the three holding springs.</p>	<p>Mounting jig</p> <p>Use to frame a cap in the cap frame.</p> <ol style="list-style-type: none"> ① Holders ② Mounting bracket ③ Screws <p>The cap frame is secured with the three holders.</p> <p>Tighten the thumb screw to secure to a mounting surface, such as a table.</p> <p>Adjust the size of the mounting jig according to the type of cap being embroidered.</p>
 <p>Upper frame</p> <p>Lower frame</p> <ul style="list-style-type: none"> • When the frame is purchased, the upper and lower frames are attached together. 	<p>Brim protector</p> <p>Prevents the brim of the cap from rubbing against the machine and becoming damaged during sewing.</p> 	<p>User Manual</p> 
<p>Pad</p> 	<p>Allen screwdriver (large)</p> 	<p>Allen screwdriver (medium)</p> 

Note

- Before using this frame, make sure that your machine's software has been updated to the latest version.
- Before installing the cap frame, be sure to adjust the ring of the cap frame driver and the height of the L-shaped bracket. (If the same machine is being used, this adjustment is only required the first time that the machine is used.)
- After the ring of the cap frame driver and the height of the L-shaped bracket (refer to page 5) have been adjusted, they must be adjusted again if a different machine is used. The height may differ depending on the machine that is used. For details, contact your authorized dealer.
- When the cap frame is attached to the machine, the following embroidery frame indicator appears.



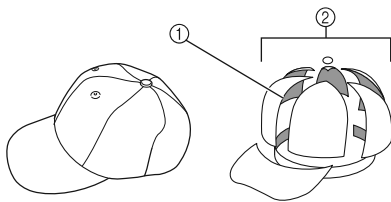
Types of caps

With this machine, we recommend that the following types of caps be embroidered. An Otto International, Inc. cap is used here as an example.

(* The ease of framing shown in the table is as evaluated by our company.)

- Any trade names and product names of companies appearing on our products, related documents and any other materials are all trademarks or registered trademarks of those respective companies.

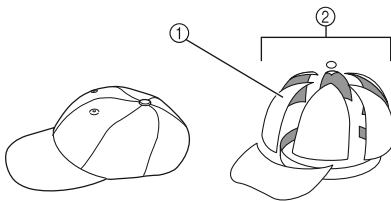
■ Standard (pro style)



- ① Face: Pro style
- ② 6 sections

Mesh backing at back of front panels (soft or hard*)	Constructed firm front	Unconstructed soft crown
Ease of framing* (hooping)	Easy (Recommended)	Fairly easy
Backing	1- to 2-ply	2- to 3-ply
Otto International, Inc. cap model number (Example)	OTTO27-007	

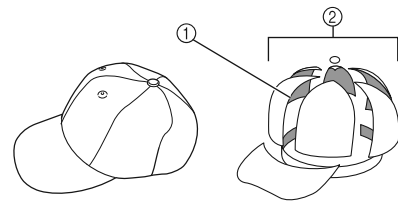
■ Low profile (low fitting)



- ① Face: Low fitting
- ② 6 sections

Mesh backing at back of front panels (soft or hard*)	Constructed firm front	Unconstructed soft crown	Constructed firm front
Ease of framing* (hooping)	Easy	Fairly easy	Easy
Backing	1- to 2-ply	2- to 3-ply	1- to 2-ply
Otto International, Inc. cap model number (Example)	OTTO23-255	OTTO18-202	OTTO65-758 (for children)

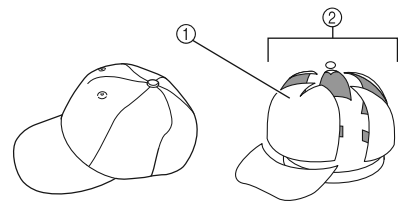
■ Flat visor



- ① Face: Pro style
- ② 6 sections

Mesh backing at back of front panels (soft or hard*)	Constructed firm front	Constructed firm front
Ease of framing* (hooping)	Easy	Easy
Backing	1- to 2-ply	1- to 2-ply
Otto International, Inc. cap model number (Example)	OTTO125-1038	OTTO145-1044 (for children)

■ Golf style

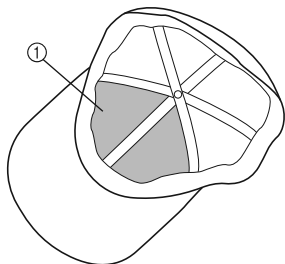


- ① Face: Not divided
- ② 5 sections

Mesh backing at back of front panels (soft or hard*)	Constructed firm front
Ease of framing* (hooping)	Fairly easy
Backing	1- to 2-ply
Otto International, Inc. cap model number (Example)	OTTO37-024

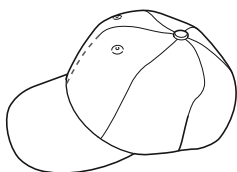
Memo

- Check if area ① is covered with mesh. (A cap with mesh is shown below.)



Note

- There is no centerline that can be used as a guide for placing the cap in the cap frame. Before framing the cap, use a chalk pencil to mark the centerline.



■ Caps not recommended for embroidering

- Caps with a front panel that is less than 50 mm (2 inches) high (such as a sun visor)
- Caps with a brim that is longer than 80 mm (3-1/16 inches)

Fabric precautions

■ Cap fabric recommended for embroidering

- 35% cotton/65% polyester
- 100% cotton
- 80% wool/20% nylon
- 15% wool/85% acrylic

■ Cap fabric not recommended for embroidering

Caps of the following types of fabric are very difficult to frame, may wrinkle, or may shrink.

- Polyester foam
- Stretch fabrics
- Melton wool
- 100% nylon
- Suede

Preparing to use the cap frame

■ Installing the cap frame driver

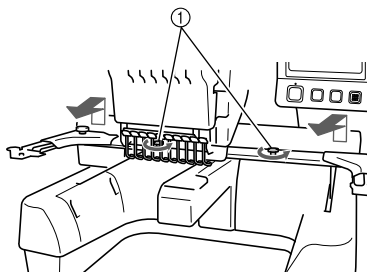
Remove the embroidery frame holder from the carriage of the machine, and then install the cap frame driver. Before removing the embroidery frame holder, remove the embroidery frame.

! CAUTION



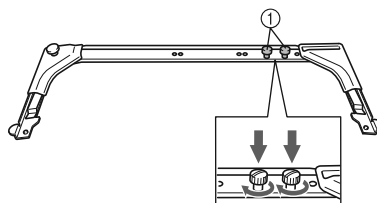
- Before changing any embroidery frame holder, make sure your machine is turned off.

- 1 Loosen the two thumb screws, and then remove the embroidery frame holder and thumb screws.



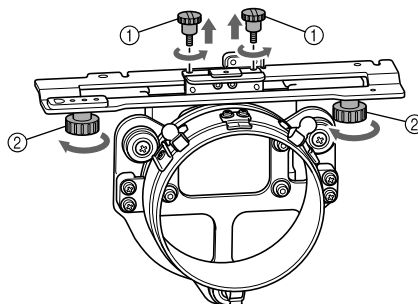
① Thumb screws

- The thumb screws should remain attached to the embroidery frame holder.



- ① Store the two thumb screws in the embroidery frame holder so they will not be lost.

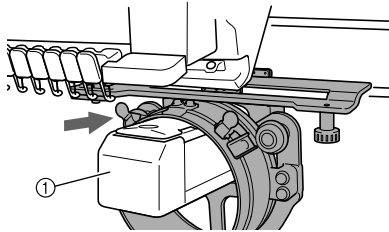
- 2 Remove the two upper thumb screws of the cap frame driver, and then loosen the two lower thumb screws.



- ① Upper thumb screws
- ② Lower thumb screws

3 Turn on the machine, using its main power switch. After the carriage moves to its initial position, turn off the machine.

4 Pass the machine bed through the ring of the cap frame driver.



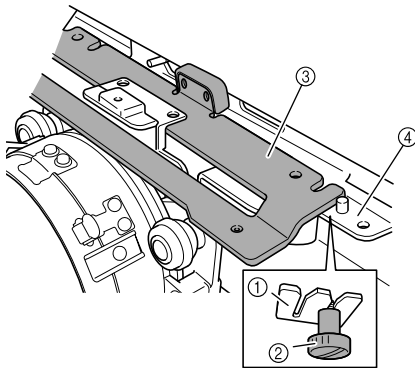
① Machine bed

Note

- Be careful that the cap frame driver does not hit any nearby parts, such as the presser foot.

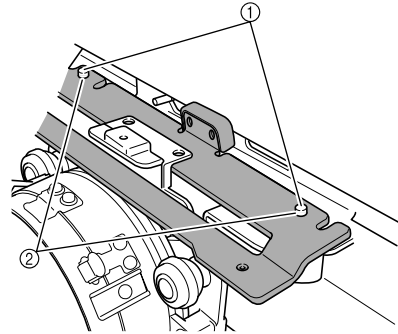
Attach the cap frame driver to the carriage as described below in steps **5** through **8**.

5 Insert the two thumb screws at the bottom of the cap frame driver into the V-cuts in the carriage, and then place the mounting plate of the cap frame driver on top of the frame-mounting plate of the carriage.



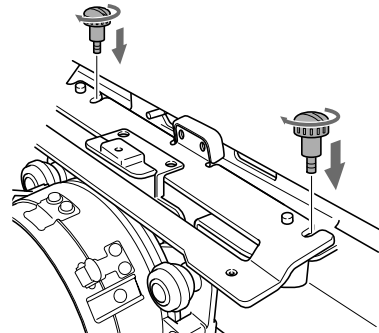
① V-cut in the carriage
 ② Thumb screw of the cap frame driver
 ③ Mounting plate of the cap frame driver
 ④ Frame-mounting plate of the carriage

6 Insert the pins on the frame-mounting plate of the carriage into the holes in the mounting plate of the cap frame driver.

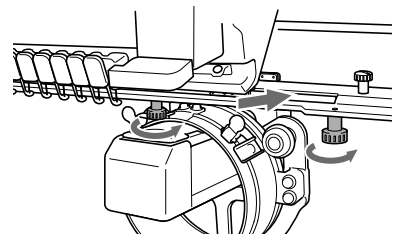


① Pins on the frame-mounting plate of the carriage
 ② Holes in the mounting plate of the cap frame driver

7 Install and tighten the two upper thumb screws (removed in step **2**) in the outer holes of the mounting plate of the cap frame driver.

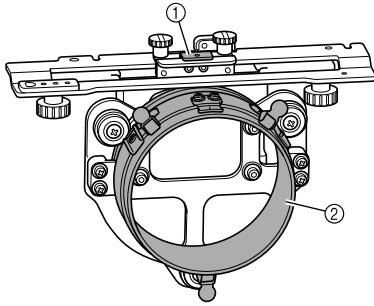


8 While pushing in the cap frame driver toward the machine so that it is fully inserted, tighten the two lower thumb screws to secure the cap frame driver.



► This completes the installation of the cap frame driver.

■ Adjusting the cap frame driver



- ① L-shaped bracket
- ② Ring

Memo

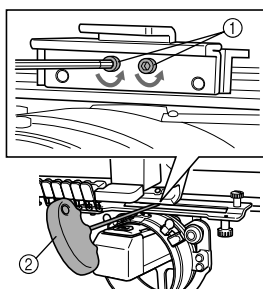
- If the same machine is being used, the adjustment to the cap frame driver is only required the first time that the machine is used.

- 1** Turn on the machine, using its main power switch. After the carriage moves to its initial position, turn off the machine.

Note

- Be sure to adjust the cap frame driver with the carriage at its initial position.

- 2** Using the Allen screwdriver (medium), loosen the two hexagonal screws one turn in the direction of the arrow.

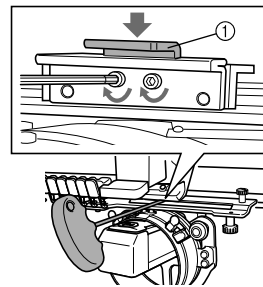


- ① Hexagonal screws
- ② Allen screwdriver (medium)

Note

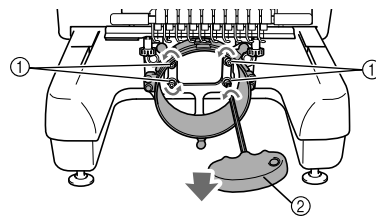
- Do not loosen the screws too much.

- 3** Lower the L-shaped bracket so that it touches the machine bed, and then use the Allen screwdriver (medium) to firmly tighten the two hexagonal screws.



- ① L-shaped bracket

- 4** Using the Allen screwdriver (large), loosen the four hexagonal screws on the inside of the ring one turn in the direction of the arrow.



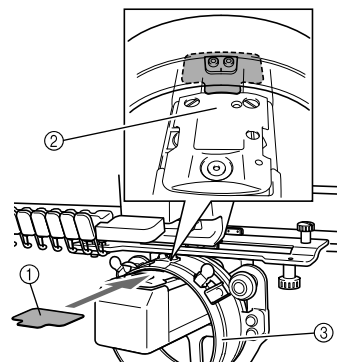
- ① Hexagonal screws
- ② Allen screwdriver (large)

- ▶ When the screws are loosened, the ring can be lowered.

Note

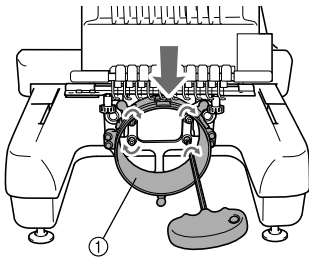
- Do not loosen the screws too much.

- 5** Insert the pad between the machine bed and the ring of the cap frame driver.



- ① Pad
- ② Machine bed
- ③ Ring of the cap frame driver

- 6** Lightly press down the ring, and then use the Allen screwdriver (large) to firmly tighten the four hexagonal screws on the inside of the ring.

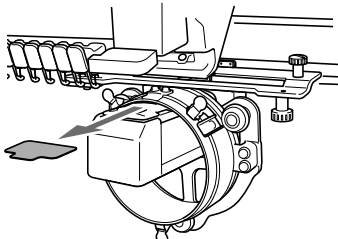


① Ring

! CAUTION

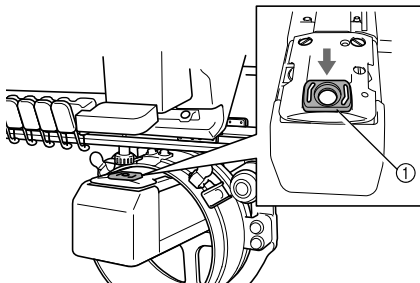
- Make sure that each hexagonal screw is firmly tightened. If any screw remains loose, injuries may result.

- 7** Remove the pad inserted in step 5.



■ Installing the needle plate spacer

Attach the needle plate spacer (included with the machine) to the needle plate.

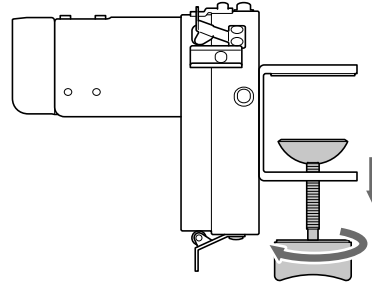


① Needle plate spacer

■ Preparing the mounting jig

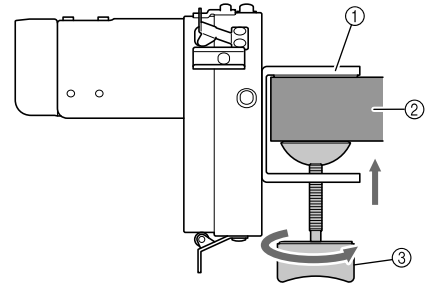
Attach the mounting jig to a stable surface, such as a desk.

- 1** Loosen the thumb screw for the mounting jig to open the mounting bracket so that it is wider than the thickness of the mounting surface.



- The mounting bracket can be mounted onto a mounting surface with a thickness between 9 mm (3/8 inch) and 38 mm (1-1/2 inches).

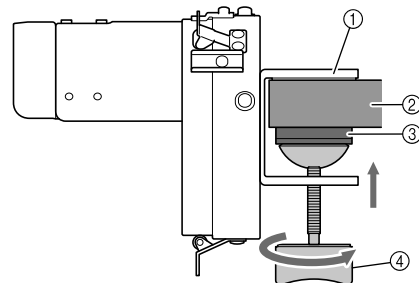
- 2** Securely clamp the mounting bracket onto the mounting surface by tightening the thumb screw.



- ① Mounting bracket
- ② Mounting surface (worktable, desk, etc.)
- ③ Tighten the thumb screw.

Memo

- If there is a gap between the clamping pad of the thumb screw and the mounting surface, insert the included pad as shown below.



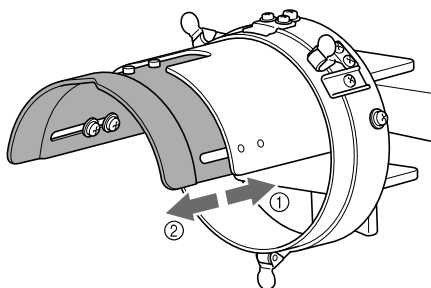
- ① Mounting bracket
- ② Mounting surface (worktable, desk, etc.)
- ③ Pad
- ④ Thumb screw

- 3 Check that there is no looseness.**
If there is looseness, mount the mounting jig onto the mounting surface again.

Note

- Make sure that the mounting bracket is securely clamped onto the mounting surface and that the thumb screw is firmly tightened.
- Do not attach the mounting jig to an unstable surface (flexible, bent or warped).
- Be careful that the mounting jig does not fall when it is removed.

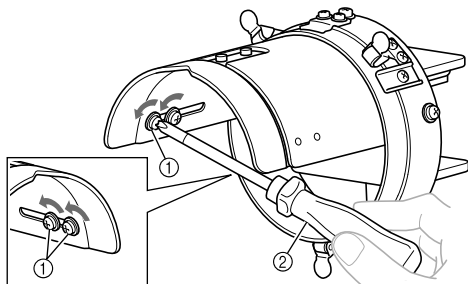
- 4 Adjust the size of the mounting jig according to the type of cap being embroidered.**



- ① Low profile (low fitting)
- ② Standard (pro style)

For the standard type

Using a Phillips screwdriver, loosen the four screws (two on the left and two on the right) on the inside of the mounting jig one turn.

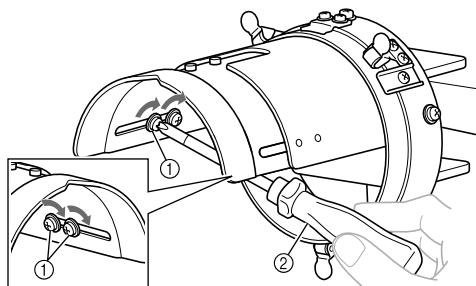


- ① Screws
- ② Phillips screwdriver

Note

- Do not remove any of the four screws (two on the left and two on the right), otherwise they may be lost. Only turn the screws to slightly loosen them.

Pull the mounting jig toward you, and then use the Phillips screwdriver to tighten the four screws (two on the left and two on the right).

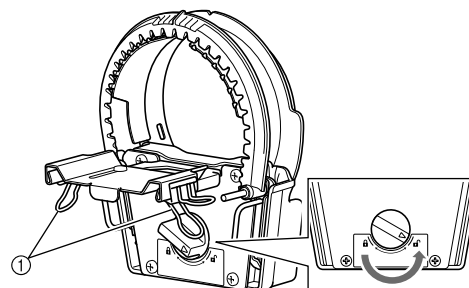


► This completes the preparation of the mounting jig.

Removing the upper frame of the cap frame from the lower frame

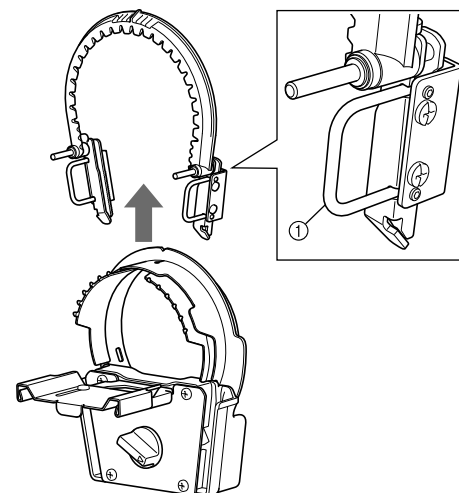
When the cap frame is purchased, the upper and lower frames are attached together. Remove the upper frame from the lower frame.

- 1 Remove the clips attached to the lower frame, and then set the lock knob to the unlocked position.**



- ① Clips

- 2 Grab the grips of the upper frame and remove the upper frame from the lower frame.**



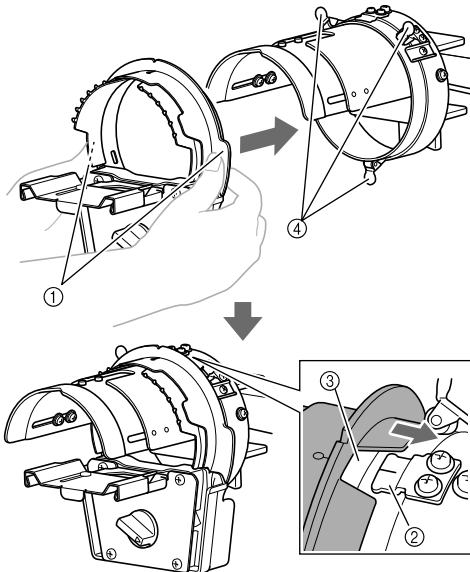
- ① Grip

Attaching the cap frame

■ Attaching the lower frame of the cap frame to the mounting jig

1 Attach the lower frame of the cap frame to the mounting jig.

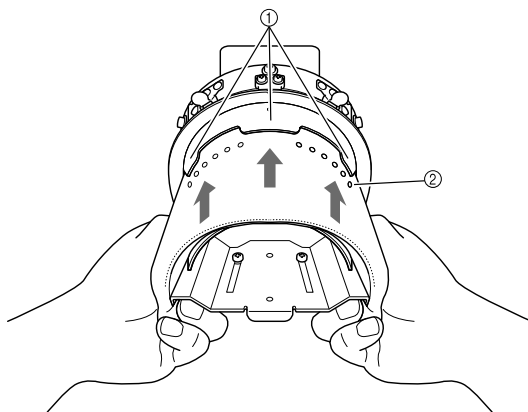
Grab the grips on both sides of the lower frame of the cap frame and push. When positioning the lower frame of the cap frame, align the notch in the lower frame with the guiding plate at the center of the mounting jig.



- ① Grips
- ② Guiding plate on mounting jig
- ③ Notch in lower frame
- ④ Holders

▶ The cap frame is secured with three holders.

2 Slide stabilizer under the three tabs on the lower frame of the cap frame, and then secure the stabilizer with the pins.

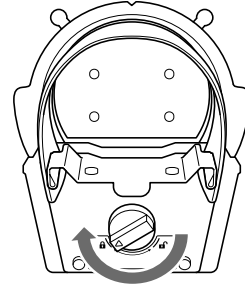


- ① Three tabs
- ② Pin

- Make sure that the pins go through the stabilizer to firmly secure it.

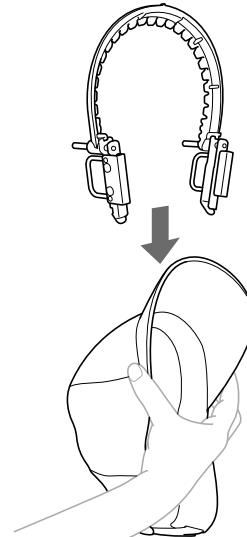
■ Attach the cap to the cap frame

1 Set the lock knob on the lower frame to the locked position.



2 Lightly squeeze the brim of the cap and fit the upper frame onto the base of the cap brim.

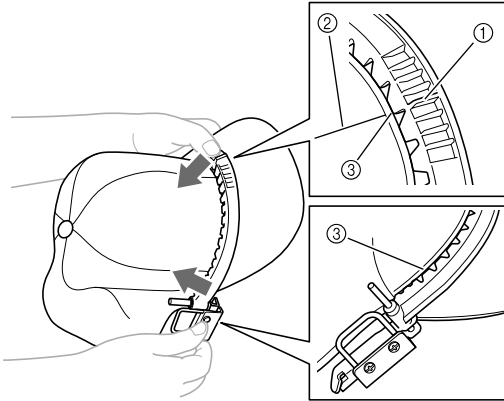
- Do not force the upper frame to widen. This may damage the frame.



3 Align the centerline of the upper frame with the centerline of the cap, and then fit the teeth at the center and left and right sides of the upper frame into the base of the cap brim.

Do this while lightly squeezing the cap brim.

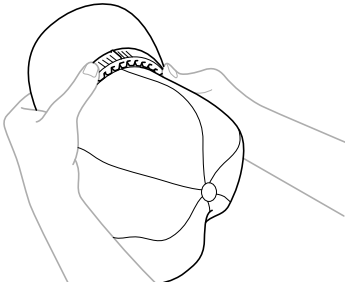
- Do not force the upper frame to widen. This may damage the frame.



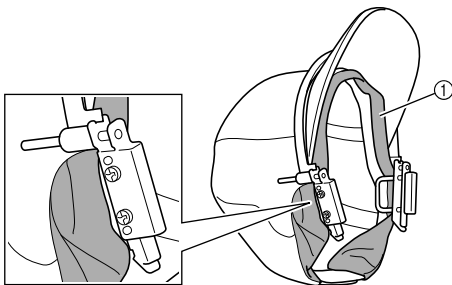
- ① Centerline of the upper frame
- ② Centerline of the cap
- ③ Base of the cap brim

4 While holding the upper frame and cap brim together, fit the remainder of the upper frame onto the base of the cap brim.

- Depending on the cap type, the cap brim may not perfectly align with the upper frame in areas other than the center and left and right sides.

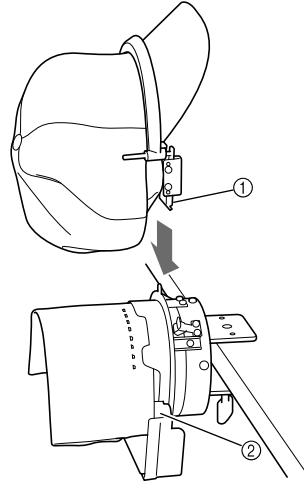


5 Flip out the cap's sweat guard, and then fit it between the pin and fitting on each side of the upper frame.



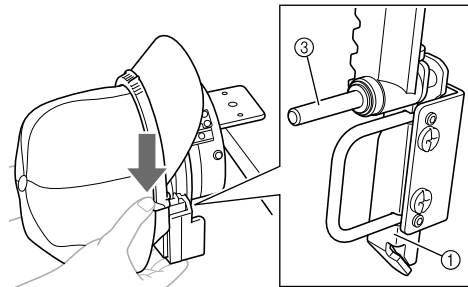
- ① Sweat guard

6 Position the upper frame from the top so that the tab on each side of the upper frame fits into the opening on each side of the lower frame.



- ① Tab on the upper frame
- ② Opening in the lower frame

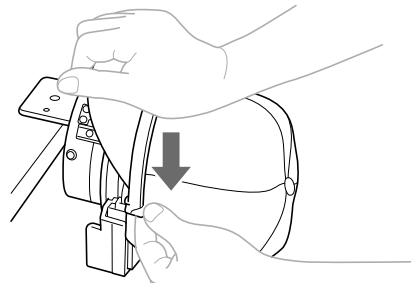
While holding the bottom of the lower frame with your fingers, push the pin on the upper frame downward with your thumb.



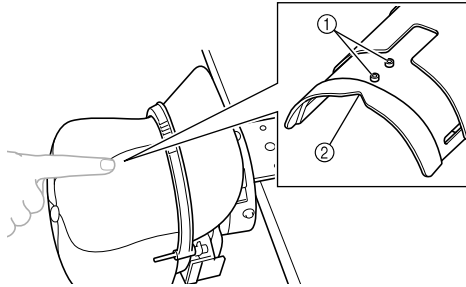
- ③ Pin on the upper frame

Note

- If it is difficult to push the pin on the upper frame downward, push downward at the center of the upper frame with your hand to help push down the upper frame. Do this on both the left and right sides.



- 7** Check that the centerline of the cap is aligned with the projections and V-shaped notch at the center of the mounting jig. Check by lightly pressing on the outside of the cap with your hand.

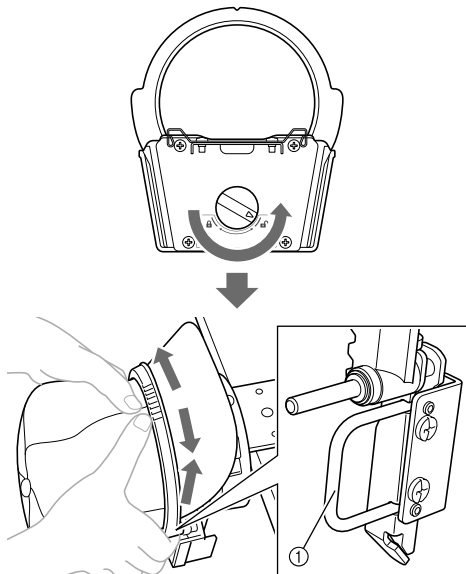


- ① Projections
- ② V-shaped notch

Memo

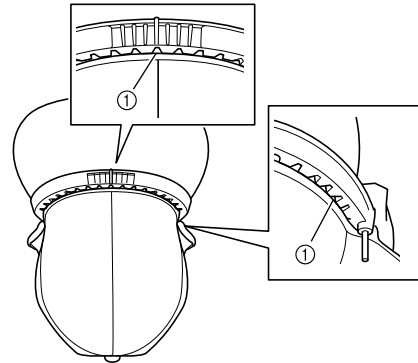
If the centerline of the cap is not aligned with the projections and V-shaped notch:

1. Set the lock knob on the lower frame to the unlocked position.
2. Grab the grips of the upper frame and pull the frame up, and then reposition it so that it is even on the left and right sides.
3. Set the lock knob on the lower frame to the locked position again.
4. Perform steps 6 through 7 again.



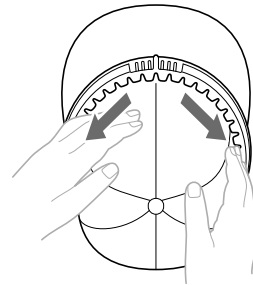
- ① Grip

- 8** Check that the teeth at the center and left and right sides of the upper frame are fitted into the base of the cap brim.

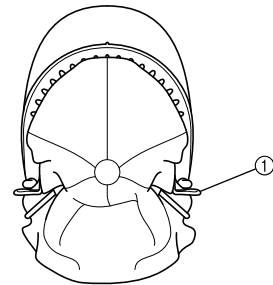


- ① Base of the cap brim

- 9** Pull the cap fabric outward from the center to remove any slack.



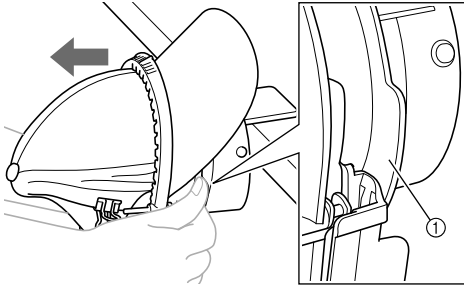
- 10** Use the clips to secure the cap.



- ① Clip
 - For details on the areas to be secured with the clips, refer to step 1 in "Removing the upper frame of the cap frame from the lower frame" on page 7.
 - Repeat steps 9 and 10 on the other side to remove any slack and secure the fabric with the clips.

11 Remove the cap frame from the mounting jig.

Grab the grips on both sides of the cap frame and pull off the frame as shown. It may be easier to remove the frame by applying force to one grip at a time.



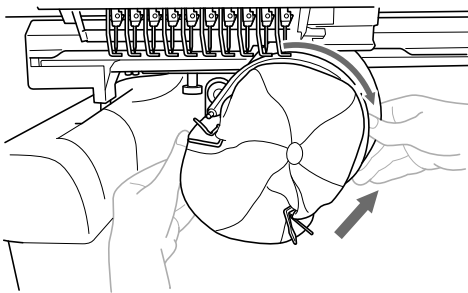
① Grip

■ Attaching the cap frame to the embroidery machine

The cap frame driver is required in order to attach the cap frame to the embroidery machine. Before attaching the cap frame to the machine, attach the cap frame driver to the carriage.

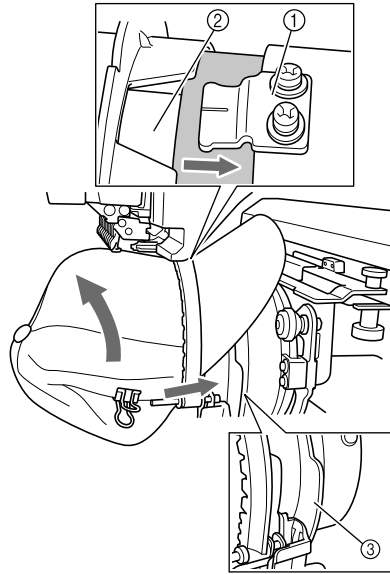
1 Attach the cap frame to the cap frame driver.

As shown, turn the embroidering area to the side when inserting the cap frame so the brim of the cap does not hit the embroidery machine.



- Be careful that the cap frame does not hit any nearby parts, such as the presser foot.

After turning the cap frame so that the embroidering area faces upward, align the ring of the cap frame driver with the ring of the cap frame. While sliding the cap frame to the left and right, align the notch in the cap frame with the guiding plate on the cap frame driver, and grab the grips on both sides of the cap frame, then push in the frame until it snaps into place.

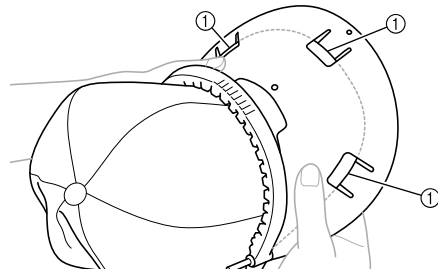


- ① Guiding plate on the cap frame driver
- ② Notch in the cap frame
- ③ Grip

► The cap frame is secured with three holders. This completes the installation of the cap frame.

2 Attach the brim protector to the cap brim.

Position the three retainers (center, left and right) of the brim protector under the cap brim, and perfectly align the brim protector with the upper frame.



- ① Retainers on brim protector
- Attaching the brim protector prevents the cap brim from rubbing against the machine and becoming damaged during sewing.
- If there is enough space between the cap brim and the machine, it may be possible to sew without the brim protector.

Note

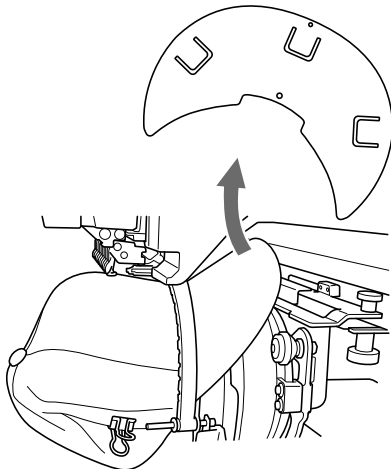
- Before sewing, be sure to check the embroidering area and confirm that the cap will not interfere with the machine. For details on checking the embroidering area, refer to the Operation Manual for the machine.
- If the cap brim interferes with the machine, the upper frame may not be securely pushed down. Refer to "Note" in step ⑤ of "Attach the cap to the cap frame" on page 8, and firmly push the upper frame down into the lower frame.

▶ The cap is ready to be embroidered.

Removing the cap frame

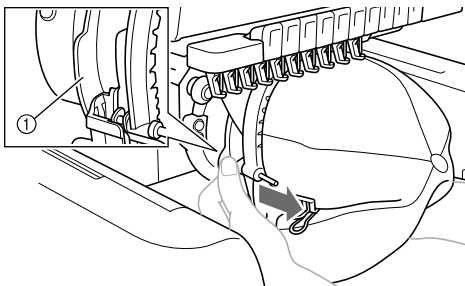
After embroidering is finished, remove the cap frame, and then remove the cap.

1 Remove the brim protector from the cap brim.



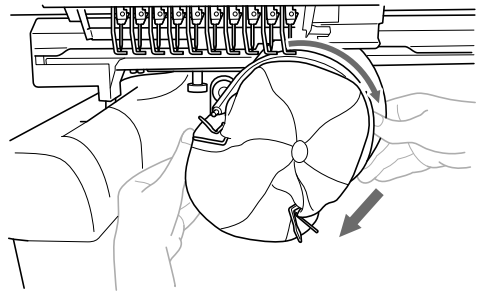
2 Remove the cap frame from the cap frame driver.

Grab the grips on both sides of the cap frame and pull off the frame as shown. It may be easier to remove the frame by applying force to one grip at a time.



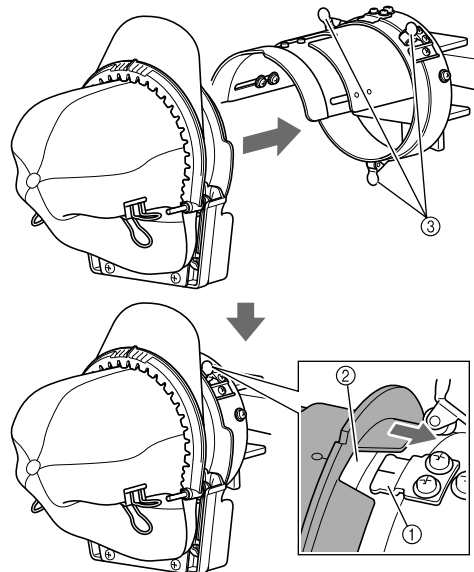
① Grip

As shown, turn the embroidering area to the side when removing the cap frame so the brim of the cap does not hit the embroidery machine.



- Be careful that the cap frame does not hit any nearby parts, such as the presser foot.

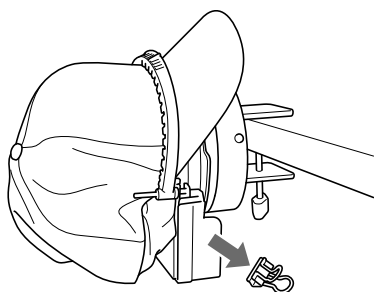
3 Attach the cap frame to the mounting jig.
When positioning the lower frame of the cap frame, align the notch in the lower frame with the guiding plate at the center of the mounting jig.



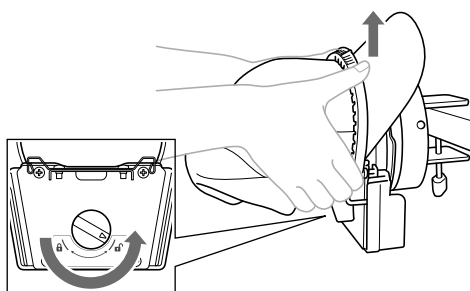
- ① Guiding plate on mounting jig
- ② Notch in lower frame
- ③ Holders

▶ The cap frame is secured with three holders.

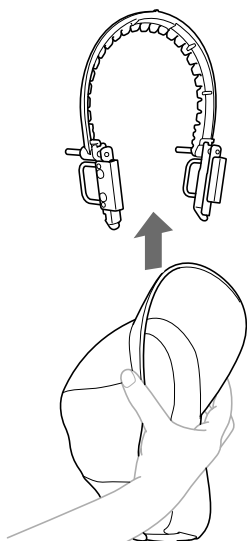
- 4** Remove the clips from the cap.



- 5** Set the lock knob on the lower frame to the unlocked position, and then remove the upper frame from the lower frame. Grab the grips of the upper frame and remove the frame.



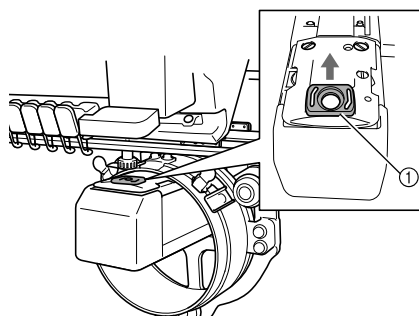
- 6** Lightly squeeze the brim of the cap and remove the upper frame from the cap.



Installing the embroidery frame holder

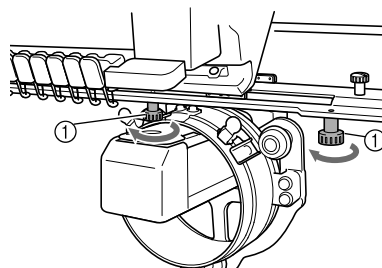
After embroidering using the cap frame is finished, remove the needle plate spacer and cap frame driver, and then re-attach the embroidery frame holder.

- 1** Remove the needle plate spacer.



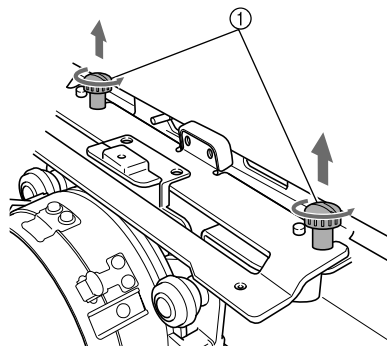
① Needle plate spacer

- 2** Loosen the two lower thumb screws.



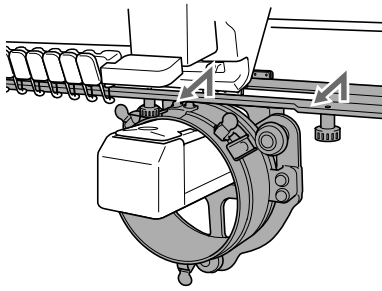
① Thumb screws

- 3** Remove the two upper thumb screws.



① Thumb screws

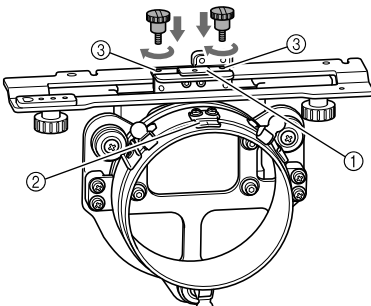
4 Remove the cap frame driver.



Note

- Be careful that the cap frame driver does not hit any nearby parts, such as the presser foot.

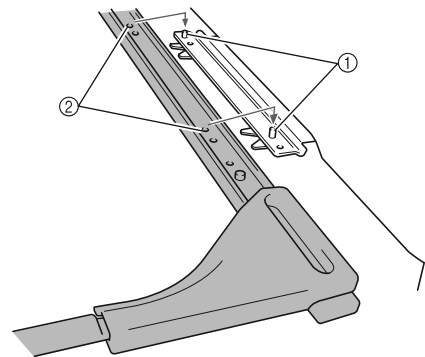
5 With the hole in the sweat guard holder of the cap frame driver aligned with the centerline of the center guiding plate, install the two thumb screws removed in step 3 in the holes at the top, and then tighten the thumb screws.



- ① Hole in the sweat guard holder
- ② Centerline of guiding plate
- ③ Holes at the top
- Install the thumb screws in the holes where the cap frame driver was originally installed.

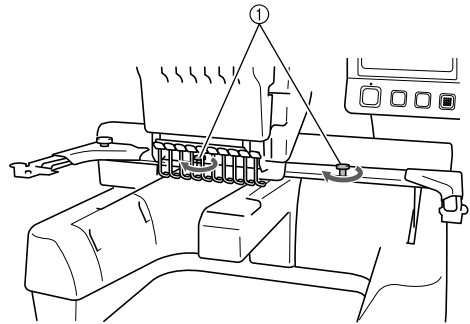
► The movable section of the cap frame driver is secured.

6 Align the holes in the embroidery frame holder with the pins on the frame-mounting plate of the carriage, and then secure the embroidery frame holder with the two thumb screws.



- ① Pins on the frame-mounting plate of the carriage
- ② Holes in the embroidery frame holder

7 Secure the embroidery frame holder with the two thumb screws.



- ① Use the thumb screws included with the machine.

! CAUTION

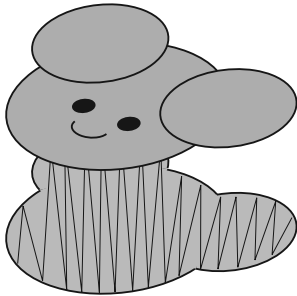


- **Firmly tighten the thumb screws.**

Additional digitizing information

When creating a pattern for embroidering with the cap frame, pay attention to the following points in order to avoid registration problems (misalignment or gaps in the pattern).

1 Sew underlay stitches.



2 Start from the center of the embroidery pattern and sew toward the ends.

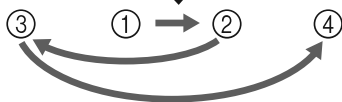
With this machine, the order in which patterns are selected when they are combined is the order in which they will be sewn. For the following example, select the patterns in the order "E" → "A" → "B" → "R" to make the combined pattern "BEAR".

B E A R

Incorrect sewing order



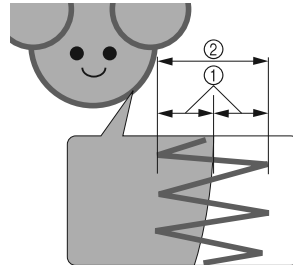
Correct sewing order



Note

- Do not sew from one end to the other, otherwise wrinkling or shrinkage may occur.

- ### 3
- When sewing outlines of patterns, make sure that the stitch width of the satin stitching is at least 2 mm, and that the stitching overlaps the fabric by at least 1 mm. Also, make sure that there are no long jumps stitches in the outlining of each region or letter.

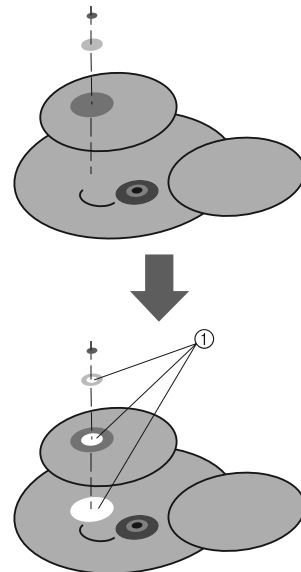


- ① At least 1 mm
- ② At least 2 mm

! CAUTION



- Do not sew more than four overlapping layers.



- ① Specify that overlapping areas are not sewn.

目录

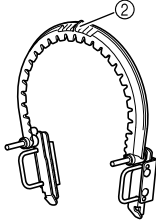
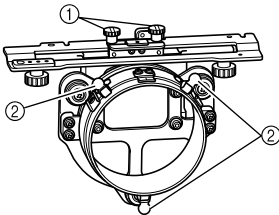
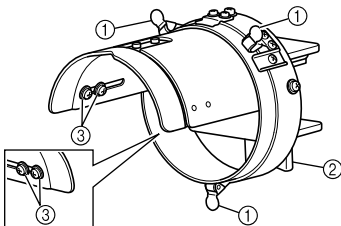
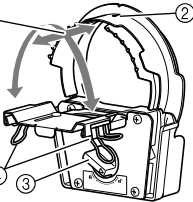
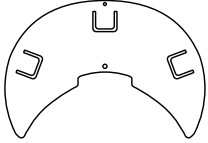
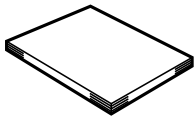



使用帽框	1
帽框及其配件	1
帽子类型	2
布料注意事项	3
使用帽框前的准备	3
安装帽框	8
安装绣花框支架	13
附加数字信息	15

使用帽框

通过使用帽框，可以在帽子上绣制花样。下面介绍了使用帽框的步骤。

帽框及其配件

检查下列帽框、帽框驱动框架、帽框装配架及配件是否包括在内。如有任何物品缺失或损坏，请与销售代理商取得联系。

<p>帽框：上框 / 下框</p> <p>① 绣花区域：130 毫米（宽）× 60 毫米（高）</p> <p>② 该标记表示绣花区域的中心</p> <p>③ 锁钮</p> <p>④ 用于安装和卸下上框。</p> <p>④ 夹子</p> <p>购买框时夹在此处。用于将帽子放在帽框中。</p>  <p style="text-align: right;">上框</p>	<p>帽框驱动框架和 4 颗指旋螺丝</p> <p>为了将帽框安装到导轨上，请卸下绣花框支架，然后将该帽框驱动框架安装到机器的导轨上。</p> <p>① 将指旋螺丝插入这些孔中并拧紧螺丝将可移动部分固定。安装该帽框驱动框架时使用这些孔。</p> <p>② 固定弹片</p> <p>帽框用三个固定弹片来固定。</p> 	<p>装配架</p> <p>用于将帽子放在帽框中。</p> <p>① 支架</p> <p>帽框用三个支架来固定。</p> <p>② 装配架</p> <p>拧紧指旋螺丝来固定到安装面，如桌子。</p> <p>③ 螺丝</p> <p>根据正在绣花的帽子类型调节装配架大小。</p> 
<p>①</p> <p>②</p> <p>③</p> <p>④</p> <p>下框</p> <p>• 购买框时，上框和下框连接在一起。</p> 	<p>帽檐保护器</p> <p>防止帽檐在绣制过程中与机器摩擦和损坏。</p> 	<p>说明书</p> 
<p>衬垫</p> 	<p>六角螺丝刀（大）</p> 	<p>六角螺丝刀（中）</p> 

提示

- 在使用此框之前，请确保机器的软件已更新到最新版本。
- 安装帽框前，请务必调节帽框驱动框架环和 L 形支架的高度。（如果使用了相同的机器，只有在第一次使用机器时需要此调节。）
- 调节完帽框驱动框架环和 L 形支架的高度后（请参见第 5 页），如果使用不同的机器则必须重新调节。高度随使用的机器而异。有关详细信息，请与授权经销商联系。
- 当帽框连接到机器后，将显示以下绣花框指示画面。



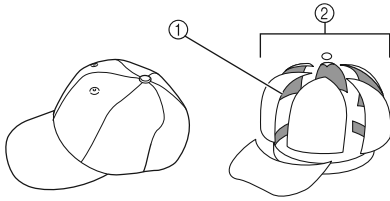
帽子类型

使用此机器时，可为下列类型帽子绣花。
这里以 Otto International, Inc. 的帽子为例。

(* 表中所示的箍放容易程度由我公司评估。)

- 在我们的产品、相关文档和任何其他材料上出现的公司的任何商品名和产品名都是这些公司各自的商标或注册商标。

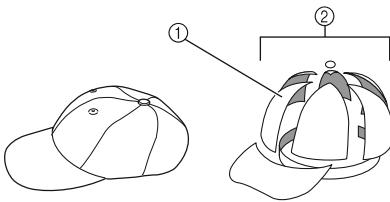
■ 标准 (专业风格)



- ① 正面：专业风格
- ② 6 个部分

在前部饰条后部上的网眼底衬 (软质或硬质*)	编织的固定前缘	未编织的软帽顶
箍放的容易程度* (箍框)	简单 (推荐)	相当简单
背衬	1 到 2 层	2 到 3 层
Otto International, Inc. 帽型编号 (示例)	OTTO27-007	

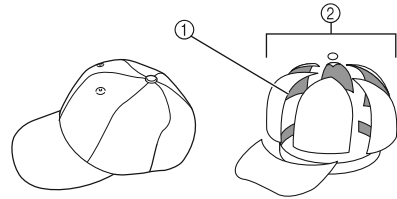
■ 低侧面帽 (下部装配)



- ① 正面：低侧面帽
- ② 6 个部分

在前部饰条后部上的网眼底衬 (软质或硬质*)	编织的固定前缘	未编织的软帽顶	编织的固定前缘
箍放的容易程度* (箍框)	容易	相当简单	容易
背衬	1 到 2 层	2 到 3 层	1 到 2 层
Otto International, Inc. 帽型编号 (示例)	OTTO23-255	OTTO18-202	OTTO65-758 (童帽)

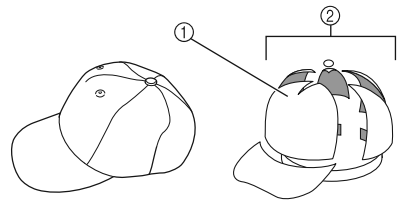
■ 平帽檐



- ① 正面：专业风格
- ② 6 个部分

在前部饰条后部上的网眼底衬 (软质或硬质*)	编织的固定前缘	编织的固定前缘
箍放的容易程度* (箍框)	容易	容易
背衬	1 到 2 层	1 到 2 层
Otto International, Inc. 帽型编号 (示例)	OTTO125-1038	OTTO145-1044 (童帽)

■ 高尔夫风格

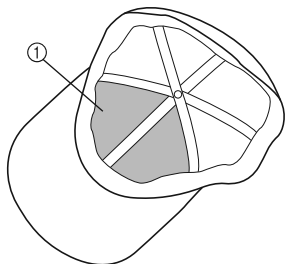


- ① 正面：未裁开
- ② 5 个部分

在前部饰条后部上的网眼底衬 (软质或硬质*)	编织的固定前缘
箍放的容易程度* (箍框)	相当简单
背衬	1 到 2 层
Otto International, Inc. 帽型编号 (示例)	OTTO37-024

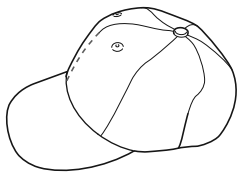
备注

- 确认区域①是否包含了网眼。(带网眼的帽子如下所示。)



提示

- 用帽框箍帽子时无法将中心线作为辅助线使用。箍住帽子时，用粉笔标记中心线。



■ 不适合用于绣花的帽子

- 前部饰条小于 50 毫米高的帽子（如遮光帽檐）
- 帽檐长于 80 毫米的帽子

布料注意事项

■ 比较适合用于绣花的帽子布料

- 35% 棉 / 65% 涤纶
- 100% 棉
- 80% 毛 / 20% 尼龙
- 15% 毛 / 85% 晴纶

■ 不是非常适合用于绣花的帽子布料

以下类型的帽子布料很难箍住，可能会起褶或者缩小。

- 涤纶泡沫塑料
- 伸缩布料
- 麦尔登呢毛
- 100% 尼龙
- 仿鹿皮织物

使用帽框前的准备

■ 安装帽框驱动框架

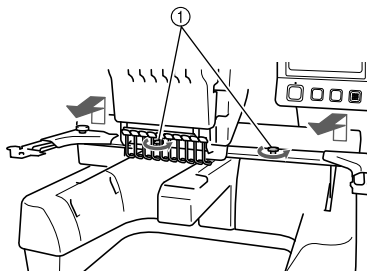
从机器的导轨上卸下绣花框支架，然后安装帽框驱动框架。卸下绣花框支架前，请卸下绣花框。

! 注意



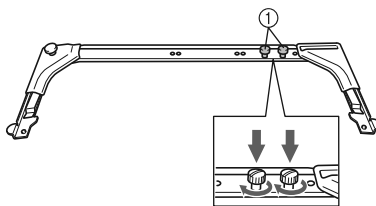
- 更换任何绣花框支架之前，请先确定机器已关闭。

1 松开两个指旋螺丝，然后卸下绣花框支架和指旋螺丝。



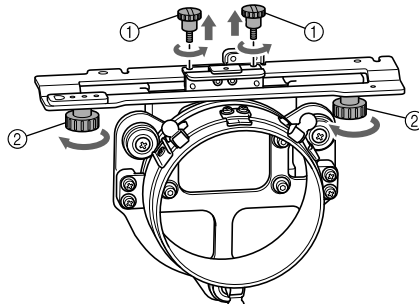
① 指旋螺丝

- 指旋螺丝应仍然安装到绣花框支架上。



- ① 保存好绣花框支架上的两个指旋螺丝以防丢失。

2 卸下帽框驱动框架的两颗指旋螺丝，然后松开两颗下部指旋螺丝。

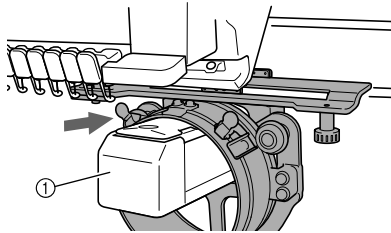


① 上部指旋螺丝

② 下部指旋螺丝

3 开机。导轨移动到初始位置后，关闭绣花机。

4 将帽框驱动框架环穿过机台。



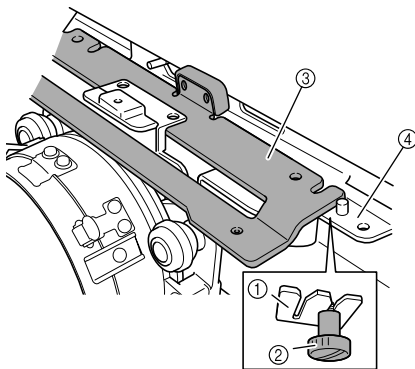
① 机台

提示

- 注意不要让帽框驱动框架碰到附近的部件，如压脚。

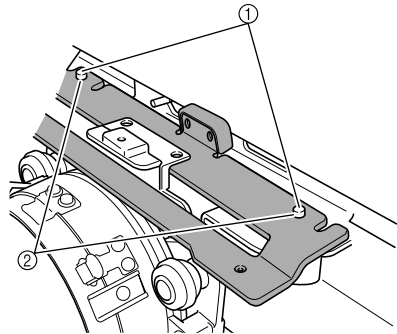
按下面所述的步骤**5**到**8**，将帽框驱动框架安装到导轨上。

5 将帽框驱动框架底部的两颗指旋螺丝插入导轨中的V形切槽，然后将帽框驱动框架的安装板放在导轨框架安装板的顶部。



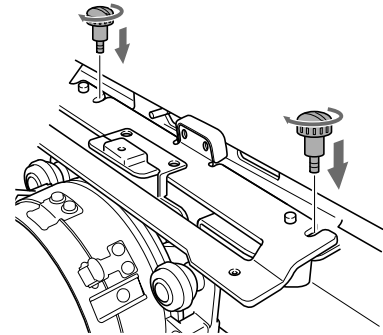
- ① 导轨中的V形切槽
- ② 帽框驱动框架的指旋螺丝
- ③ 帽框驱动框架的安装板
- ④ 导轨的框架安装板

6 将导轨框架安装板上的销钉插入帽框驱动框架安装板的孔中。

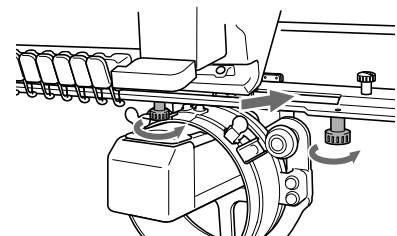


- ① 导轨框架安装板上的销钉
- ② 帽框驱动框架安装板的孔

7 在帽框驱动框架安装板的外部孔中插入并拧紧两颗上部指旋螺丝（在步骤**2**中卸下的）。

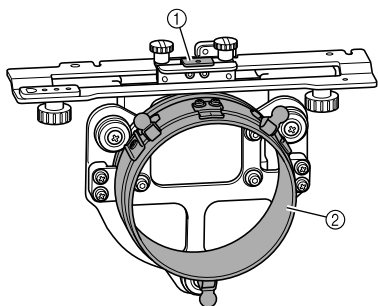


8 朝机器推入帽框驱动框架使其完全插入，拧紧两颗下部指旋螺丝将帽框驱动框架固定。



► 这样便完成了帽框驱动框架的安装。

■ 调节帽框驱动框架



- ① L形支架
- ② 环

📖 备注

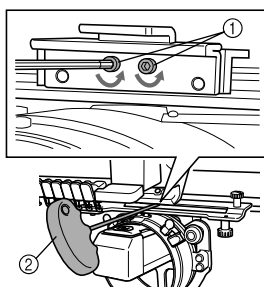
- 如果使用了相同的机器，只有在第一次使用绣花机时需要调节帽框驱动框架。

1 开机。导轨移动到初始位置后，关闭绣花机。

💡 提示

- 确保调节帽框驱动时导轨在初始位置。

2 使用六角螺丝刀（中），向箭头方向转一转松开两颗六角螺丝。

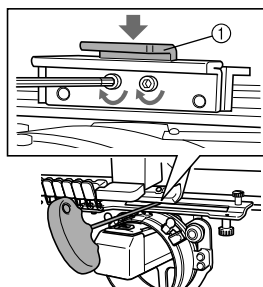


- ① 六角螺丝
- ② 六角螺丝刀（中）

💡 提示

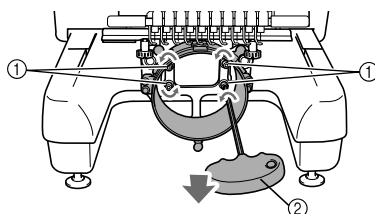
- 请勿松开螺丝过多。

3 压低 L 形支架，使其接触机台，然后用六角螺丝刀（中）拧紧两颗六角螺丝。



- ① L形支架

4 使用六角螺丝刀（大），向箭头方向转一转松开环内部的四颗六角螺丝。



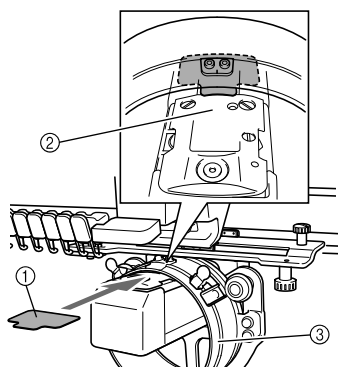
- ① 六角螺丝
- ② 六角螺丝刀（大）

- ▶ 松开螺丝时，环被放低。

💡 提示

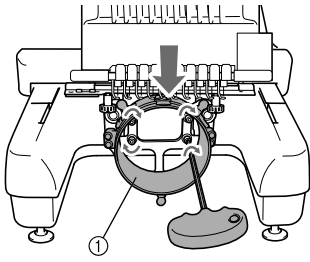
- 请勿松开螺丝过多。

5 在机台和帽框驱动框架环之间插入衬垫。



- ① 衬垫
- ② 机台
- ③ 帽框驱动框架环

- 6** 轻轻按下环，然后使用六角螺丝刀（大），拧紧环内部的四颗六角螺丝。

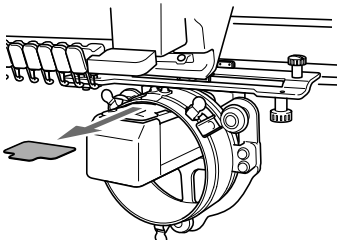


① 环

！ 注意

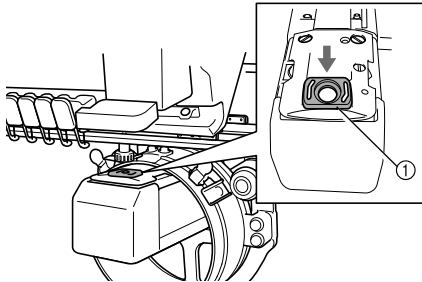
- 请确保六角螺丝已拧紧。如果螺丝仍松弛，则可能会造成人身伤害。

- 7** 卸下在步骤 5 中插入的衬垫。



■ 安装针板垫圈

将针板垫圈（机器附带）安装到针板。

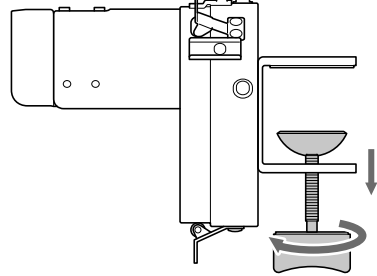


① 针板垫圈

■ 准备装配架

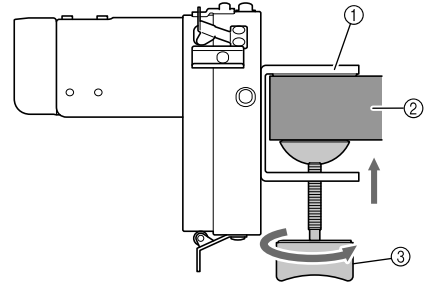
将装配架安装在平稳的表面上，如桌子。

- 1** 松开装配架的指旋螺丝，打开安装支架，使其比安装板表面的厚度要大。



- 安装支架可安装在 9 毫米到 38 毫米的安装板表面。

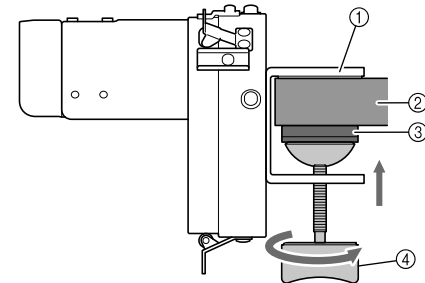
- 2** 拧紧指旋螺丝，将安装支架固定到安装表面上。



- ① 安装支架
- ② 安装表面（工作台，桌子等）
- ③ 拧紧指旋螺丝。

备注

- 如果指旋螺丝的衬垫和安装表面中间有缝隙，请如下插入附带的衬垫。



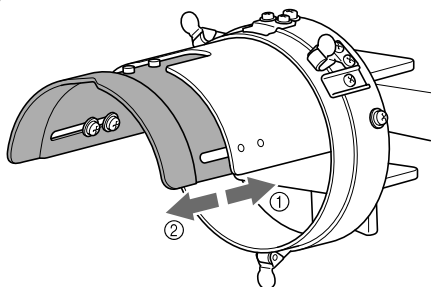
- ① 安装支架
- ② 安装表面（工作台，桌子等）
- ③ 衬垫
- ④ 指旋螺丝

- 3 确认没有松弛迹象。**
如有松弛，请将装配架重新安装到安装表面上。

提示

- 请确保安装支架已夹到安装表面上并且指旋螺丝已拧紧。
- 不要将装配架安装在不平稳的表面（活动、弯曲或褶皱）。
- 注意卸下装配架时不要掉落。

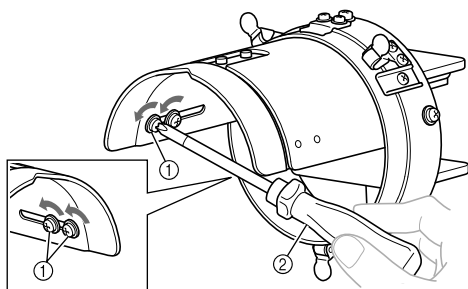
- 4 根据正在绣花的帽子类型调节装配架大小。**



- ① 低侧面帽（下部装配）
- ② 标准（专业风格）

对于标准类型

使用十字螺丝刀，将装配架内侧的四个螺钉（两个在左侧，两个在右侧）松开一转。

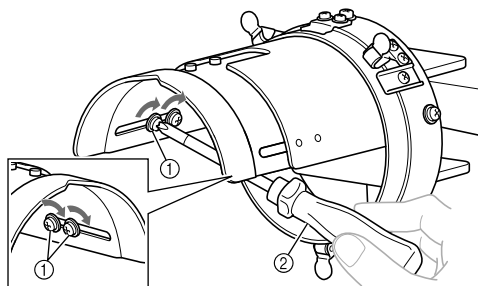


- ① 螺丝
- ② 十字螺丝刀

提示

- 请勿拆下四个螺钉中的任何一个（两个在左侧，两个在右侧），否则它们可能会丢失。只可旋转螺丝将其略微松开。

朝自身方向拉装配架，然后使用十字螺丝刀拧紧四颗螺丝（左右两侧各两颗）。

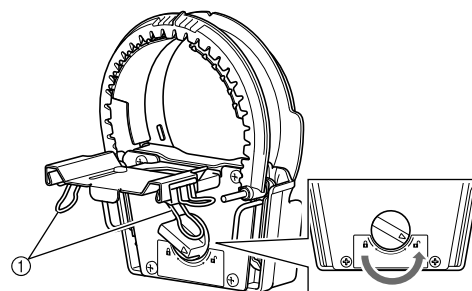


▶ 这样便完成了装配架的准备。

从下框上卸下帽框的上框

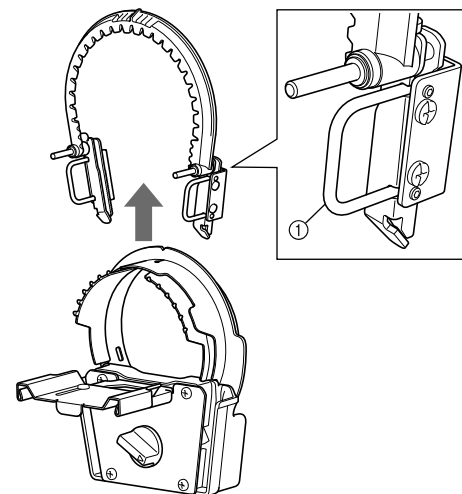
购买框时，上框和下框连接在一起。从下框上卸下上框。

- 1 取下夹在下框上的夹子，然后将锁钮设置到解锁位置。**



- ① 夹子

- 2 握住上框的把手，从下框中卸下上框。**

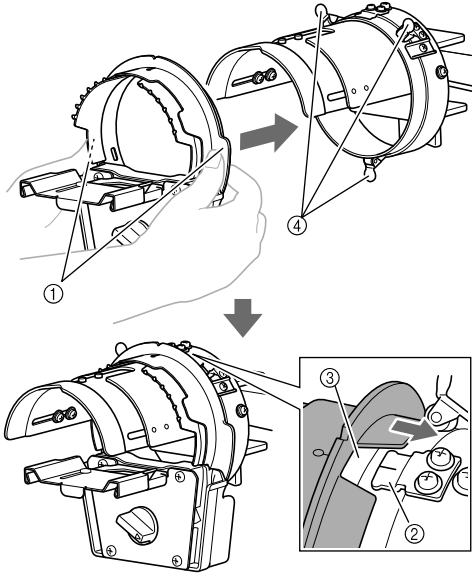


- ① 把手

安装帽框

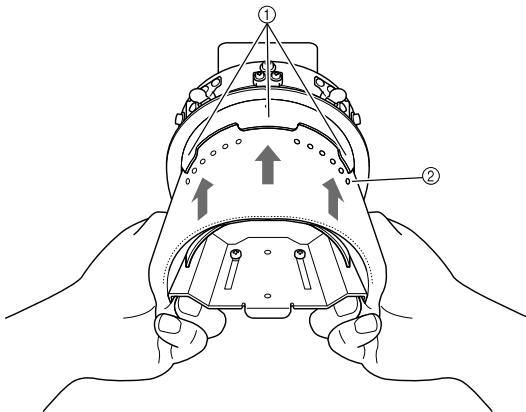
■ 将帽框的下框安装到装配架

- ① 将帽框的下框安装到装配架。
握住帽框的下框两侧的把手并推入。
当放置帽框的下框时，将下框中的切槽与装配架中心的导线槽导轨对齐。



- ① 把手
② 装配架上的导线槽板
③ 下框上的切槽
④ 支架
▶ 帽框用三个支架来固定。

- ② 将衬纸滑到帽框下框的三个突起部分下，然后用销钉固定衬纸。

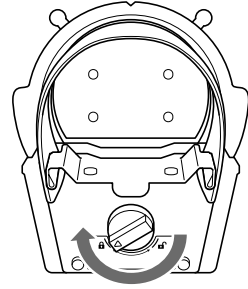


- ① 三个突起部分
② 销钉

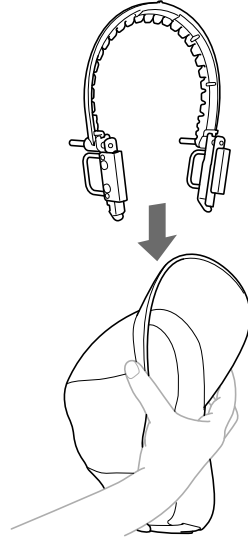
- 确保销钉穿过衬纸将其固定。

■ 将帽子放在帽框中

- ① 将下框上的锁钮设置到锁定位置。

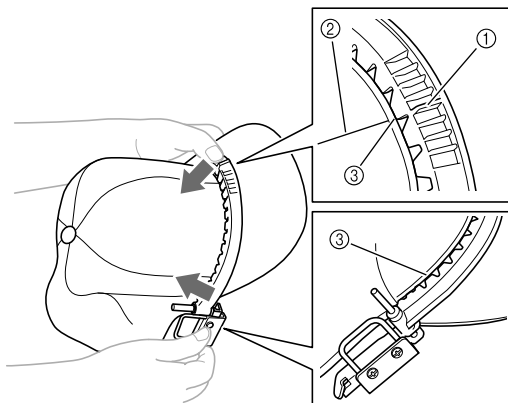


- ② 轻轻挤压帽檐并将上框固定到帽檐的底部。
• 不要用力使上框变宽。这可能会损坏框。



- ③ 将上框的中心线与帽子的中心线对齐，然后将上框的中心和左右两侧的牙安装到帽檐的底部。
这样做的同时轻轻挤压帽檐。

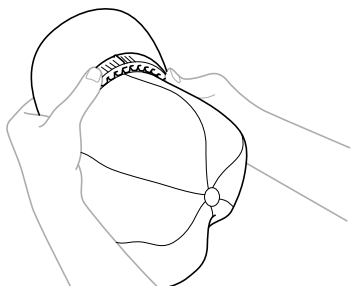
- 不要用力使上框变宽。这可能会损坏框。



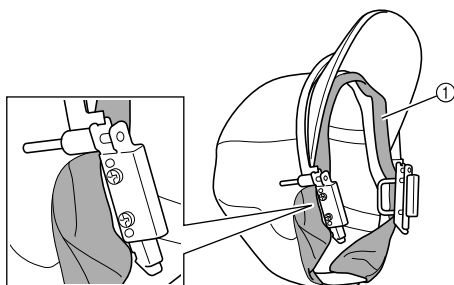
- ① 上框中心线
- ② 帽子中心线
- ③ 帽檐底部

4 将上框和帽檐重合在一起，同时将上框的其余部分固定到帽檐的底部。

- 根据帽子类型，帽檐可能不能与上框中心和左右两侧以外的区域完全对齐。

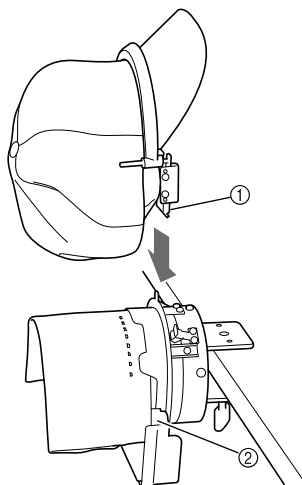


5 翻转帽子的防汗衬，然后将其固定在上框两侧的销钉和管件之间。



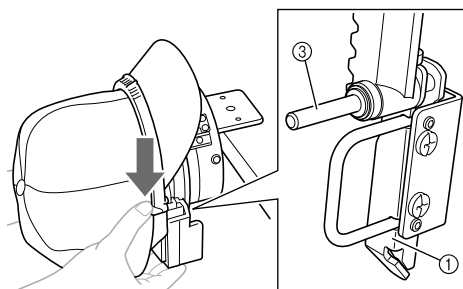
- ① 防汗衬

6 从顶部放置上框，使上框每侧的突起部分与下框每侧的开口相接合。



- ① 上框的突起部分
- ② 下框的开口

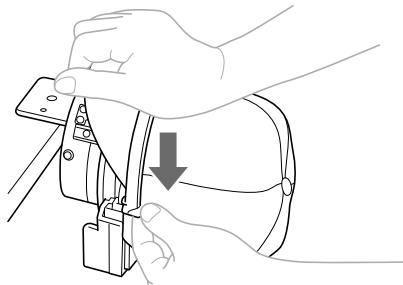
用手指握住下框的底部，同时用拇指向下按动上框上的销钉。



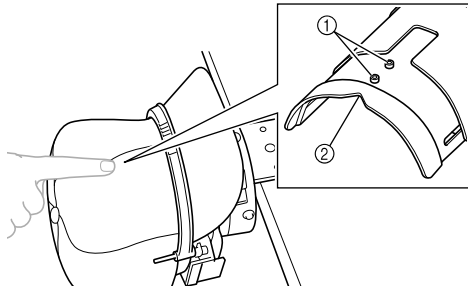
- ③ 上框的销钉

提示

- 如果很难向下按动上框上的销钉，请用手向下按动上框的中心，以帮助向下按动上框。在左右两侧都这样操作。



- 7** 检查帽子的中心线是否与装配架中心的突起部分和 V 形切槽对齐。
用手轻轻按压帽子的外侧进行检查。

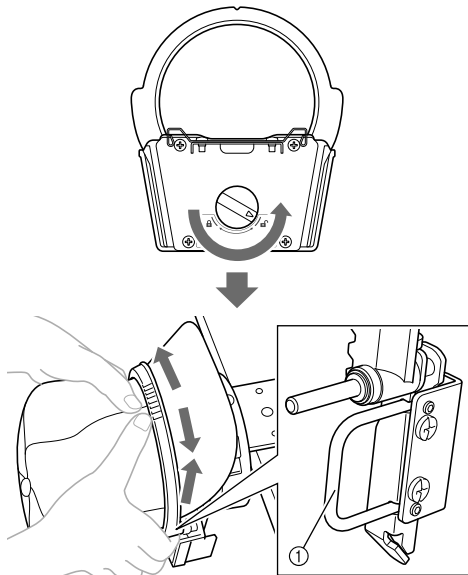


- ① 突起部分
② V 形切槽

备注

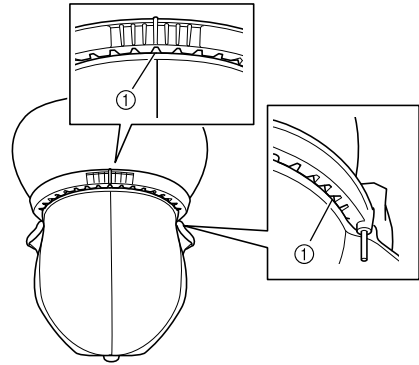
如果帽子的中心线未与突起部分和 V 形切槽对齐：

1. 将下框上的锁钮设置到解锁位置。
2. 握住上框的把手，向上拉动框，然后重新定位，使其在左右两侧均匀分布。
3. 将下框上的锁钮再次设置到锁定位置。
4. 再次执行步骤 6 至 7。



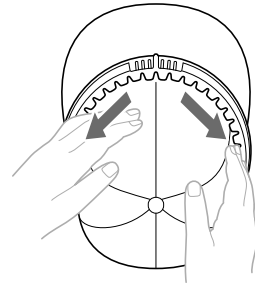
- ① 把手

- 8** 检查上框中心和左右两侧的牙是否已固定到帽檐底部。

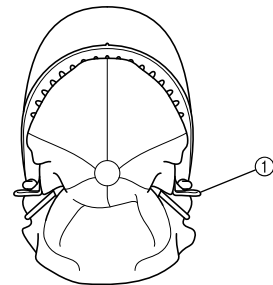


- ① 帽檐底部

- 9** 从中心向外拉动帽子布料，拉紧松弛部位。



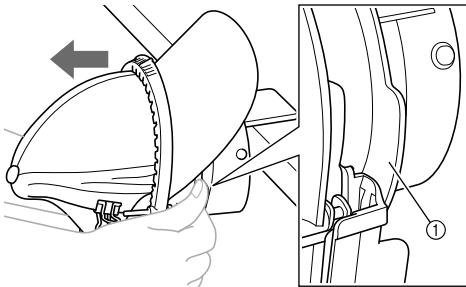
- 10** 用夹子固定帽子。



- ① 夹子
- 有关要用夹子固定区域的详细信息，请参阅第 7 页上的“从下框上卸下帽框的上框”中的步骤 1。
 - 在另一侧重复步骤 9 和 10，以消除任何松弛并用夹子固定布料。

11 从装配架卸下帽框。

握住帽框两侧把手并拉出框，如图所示。通过一次对一个把手施加力，可以更容易地卸下框。



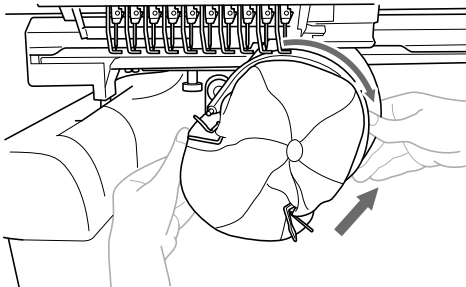
① 把手

■ 将帽框安装到绣花机

为了将帽框安装到绣花机，需要使用帽框驱动框架。将帽框安装到绣花机前，将帽框驱动框架安装到导轨。

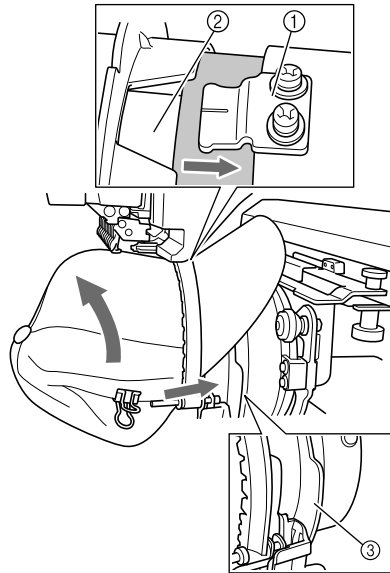
1 将帽框安装到帽框驱动框架。

如图所示，在插入帽框时，将绣花区域转到侧面，这样帽檐不会碰到绣花机。



- 注意不要让帽框碰到附近的部件，如压脚。

旋转帽框使绣花区域朝上后，将帽框驱动框架环与帽框环对齐。左右滑动帽框时，将帽框中的切槽与帽框驱动框架上的导线槽板对齐，握住帽框两侧的把手，然后推入框直至其卡到位。

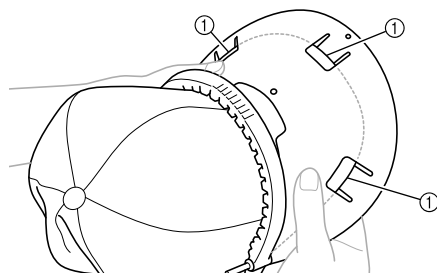


- ① 帽框驱动框架上的导线槽板
- ② 帽框上的切槽
- ③ 把手

▶ 帽框用三个支架来固定。这样便完成了帽框的安装。

2 将帽檐保护器固定到帽檐上。

将帽檐护边器的三个夹持器（中间、左右）放置在帽檐下，并将帽檐保护器与上框完全对齐。



- ① 帽檐保护器上的夹持器
- 安装帽檐保护器防止帽檐在绣制过程中与机器摩擦和损坏。
- 如果帽檐和机器之间有足够的空间，可以在没有帽檐保护器的情况下绣制。

提示

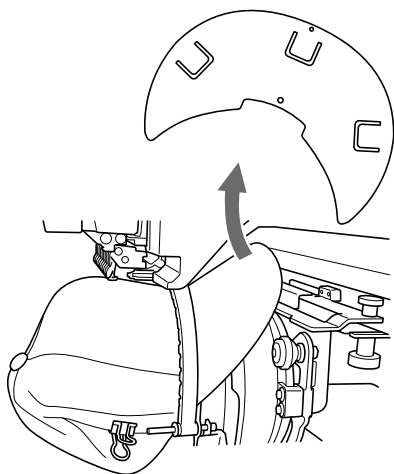
- 绣制前，一定要检查绣花区域，确认帽子不会妨碍机器运行。有关检查绣花区域的详细信息，请参阅机器的使用说明书。
- 如果帽檐妨碍机器运行，可能无法安全地向下推动上框。请参阅第 8 页上的“将帽子放在帽框中”步骤 6 中的“提示”，将上框向下用力推入下框。

► 可以绣制帽子了。

■ 卸下帽框

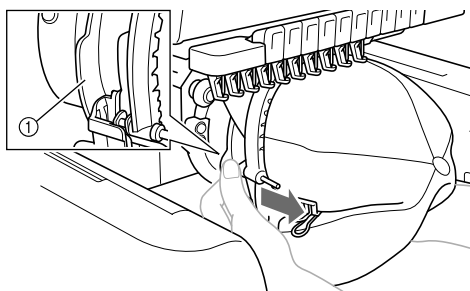
完成绣花后，卸下帽框，然后取下帽子。

1 从帽檐上卸下帽檐保护器。



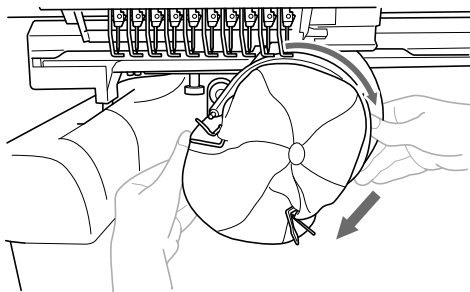
2 从帽框驱动框架上卸下帽框。

握住帽框两侧把手并拉出框，如图所示。通过一次对一个把手施加力，可以更容易地卸下框。



① 把手

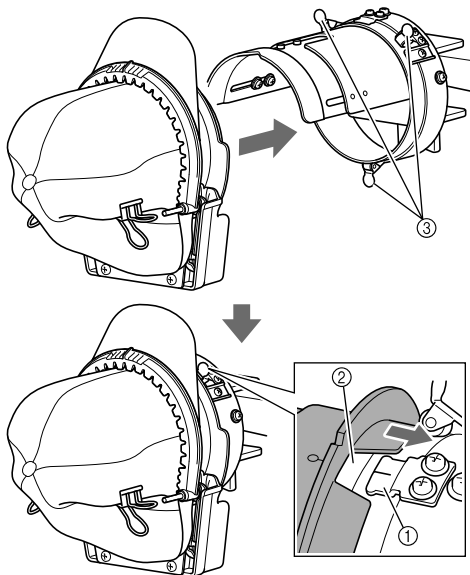
如图所示，在卸下帽框时，将绣花区域转到侧面，这样帽檐不会碰到绣花机。



- 注意不要让帽框碰到附近的部件，如压脚。

3 将帽框安装到装配架。

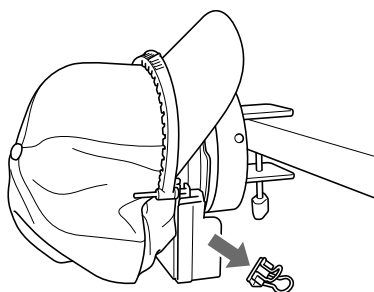
当放置帽框的下框时，将下框中的切槽与装配架中心的导线槽导板对齐。



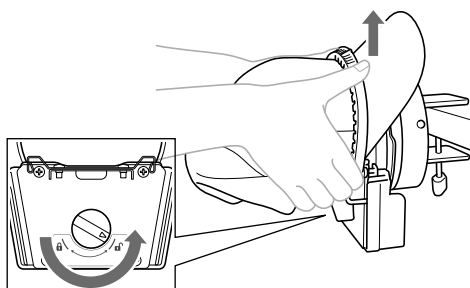
- ① 装配架上的导线槽板
- ② 下框上的切槽
- ③ 支架

► 帽框用三个支架来固定。

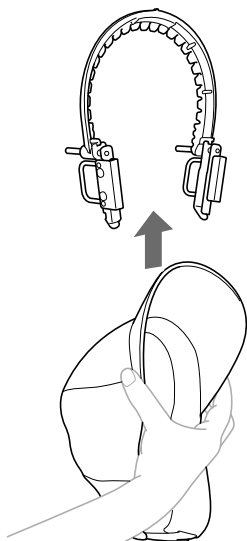
4 从帽子上取下夹子。



5 将下框上的锁钮设置到解锁位置，然后从下框上卸下上框。
握住上框的把手，卸下框。



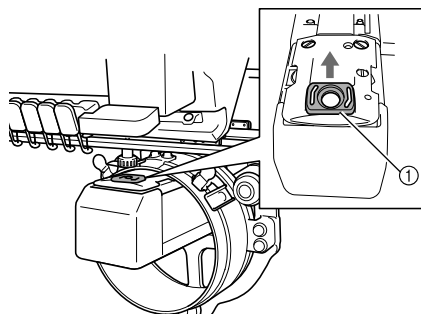
6 轻轻挤压帽檐并从帽子上卸下上框。



安装绣花框支架

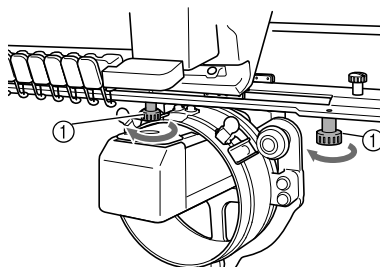
使用帽框完成绣花后，请卸下针板垫圈和帽框驱动框架，然后重新安装绣花框支架。

1 卸下针板垫圈。



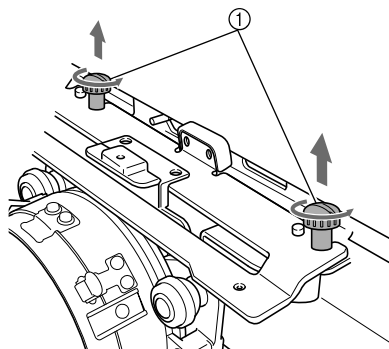
① 针板垫圈

2 松开两颗下部指旋螺丝。



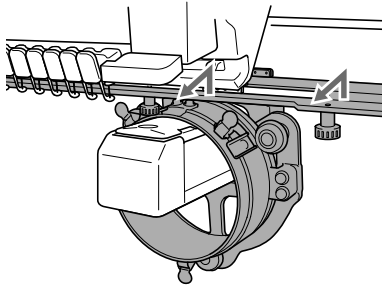
① 指旋螺丝

3 卸下两颗上部指旋螺丝。



① 指旋螺丝

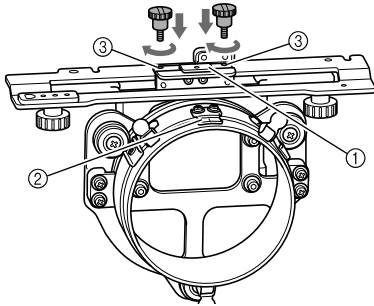
4 卸下帽框驱动框架。



提示

- 注意不要让帽框驱动框架碰到附近的部件，如压脚。

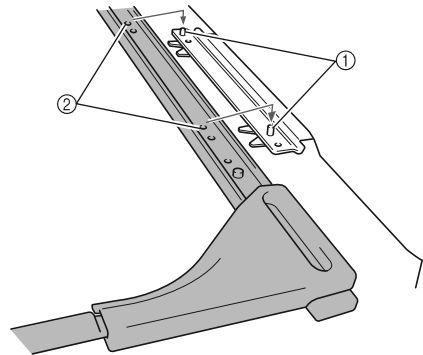
5 将帽框驱动框架防汗板支架上的孔与中心导线槽板上的中心线对齐，将在步骤**3**中卸下的两颗指旋螺丝插入顶部的孔中，然后拧紧指旋螺丝。



- ① 防汗板支架中的孔
- ② 导线槽板的中心线
- ③ 顶部的孔
- 将指旋螺丝安装到最初装有帽框驱动框架的孔中。

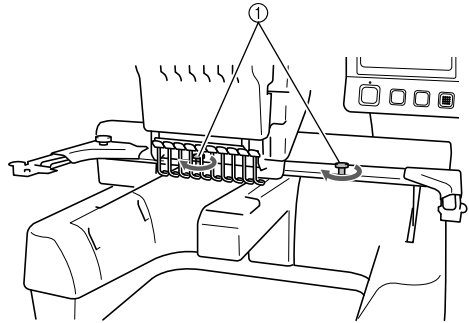
▶ 这样便固定了帽框驱动框架的活动部分。

6 将绣花框支架中的孔与导轨框架安装板上的销钉对齐，然后用两颗指旋螺丝固定绣花框支架。



- ① 导轨框架安装板上的销钉
- ② 绣花框支架中的孔

7 用两颗指旋螺丝固定绣花框支架。



- ① 使用机器附带的指旋螺丝。

注意

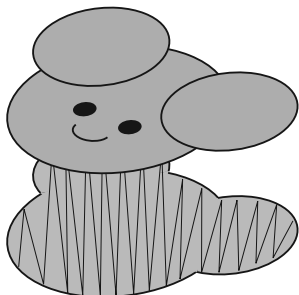


- 拧紧指旋螺丝。

附加数字信息

创建使用帽框绣花的花样时，请注意下列要点以避免对位问题（歪斜或花样中的间隔）。

1 绣制底线针迹。



2 从绣花花样的中心开始，缝到末端。

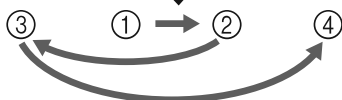
使用本机时，将花样组合在一起时所选择的花样顺序就是将要绣制时的顺序。在以下例子中，按照顺序“E”→“A”→“B”→“R”选择花样来制作组合花样“BEAR”。

B E A R

不正确的
绣制顺序



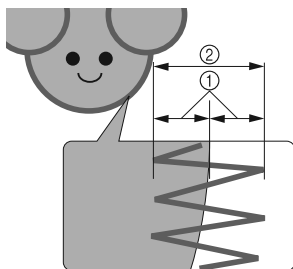
正确的绣
制顺序



提示

- 请勿从一端绣制到另一端，否则可能会出现褶皱或收缩。

3 绣制花样轮廓时，请确定缎纹针迹的针迹宽度至少为 2 毫米，并且重叠布料的针迹至少 1 毫米。另外，请确保在每个区域或字母上包含轮廓的长针迹没有跳针。

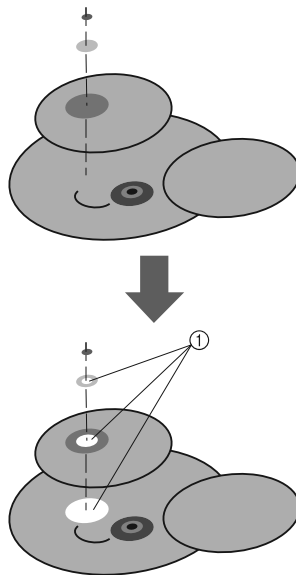


- ① 至少 1 毫米
- ② 至少 2 毫米

! 注意



- 切勿绣制四个以上的重叠层。



① 指定不绣制重叠区域。

帽子枠を使う

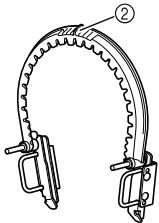
帽子枠を使うと、帽子に刺しゅうをすることができます。帽子枠の使い方を説明します。

帽子枠と付属品

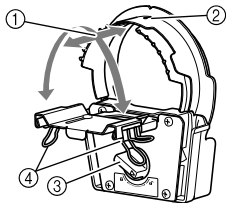
以下の帽子枠、帽子枠ドライバー、ゲージと付属品が揃っているか確認してください。不足しているときや破損しているときは、お買い上げの販売店にお問い合わせください。

帽子枠：上枠/下枠

- ① 刺しゅう範囲（ヨコ 130mm×タテ 60mm）
- ② 刺しゅう範囲の中心を示すマーク
- ③ ロックダイヤル
上枠を着脱する時に使用します。
- ④ クリップ
購入時はここについています。帽子を帽子枠に固定する時に使用します。



上枠



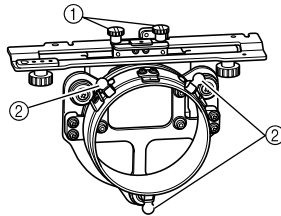
下枠

- 購入時は、上枠と下枠は一体となっています。

帽子枠ドライバー／つまみボルト 4本

キャリッジに帽子枠をセットするために、台枠を外してこの帽子枠ドライバーを取り付けます。

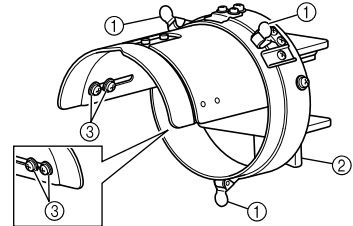
- ① この穴をつまみボルトで締め付けると可動部を固定できます。帽子枠ドライバーを保管するときに使います。
- ② 留具
帽子枠を3つの留具で固定します。



ゲージ

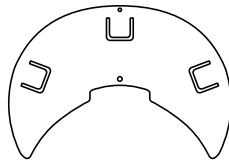
帽子枠に帽子をセットするときに使用します。

- ① 留具
帽子枠を3つの留具で固定します。
- ② 取付金具
つまみボルトを締め付けて、机などに取り付けます。
- ③ 調節ネジ
帽子のタイプに合わせてゲージのサイズを切り替えます。

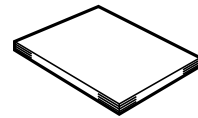


パイザーシート

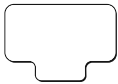
縫製時に帽子のヒサシがミシンと擦れ、傷がつくことを防ぎます。



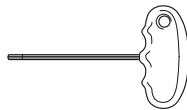
取扱説明書



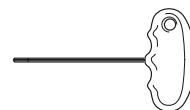
調整シート



T型六角レンチ (3mm)



T型六角レンチ (2.5mm)



- 帽子枠ドライバーのリングとL型取付金具の高さを調整するときに使用します。

🙏 お願い

- はじめに使用するとき、ソフトウェアのバージョンが最新になっているかを確認してください。
- 帽子枠を取り付ける前に、必ず帽子枠ドライバーのリングとL型取付金具の高さを調整してください。（同じミシンを使用する場合は、初回以降の調整は不要です。）
- 帽子枠ドライバーのリングとL型取付金具の高さ（P.5を参照）を調整したあと、別のミシンで使用する場合は、調整し直してください。ミシンによって高さが異なります。詳しくはお買い上げの販売店にお問い合わせください。
- ミシンに帽子枠をセットすると、適応刺しゅう枠表示は次のように替わります。



帽子の種類

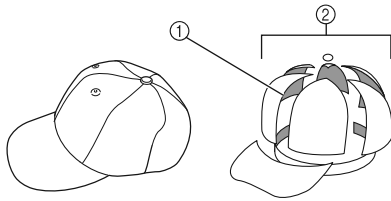
このミシンで刺しゅうする帽子は、次の種類の帽子をお勧めします。

例としてオットー社製の帽子で説明します。

(*表中の張り方の難易度などは弊社での評価によるものです。)

- プラザー製品および関連資料等に記載されている社名及び商品名はそれぞれ各社の商標または登録商標です。

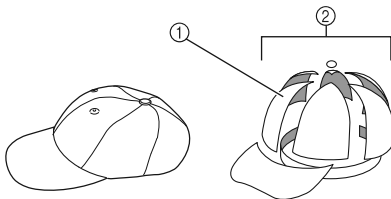
■ 標準タイプ (円筒型)



- ① 正面：円筒型
- ② 6分割

裏側のメッシュの有無 (硬い/やわらかい*)	あり 硬い	なし やわらかい
張り方の難易度*	容易 (推奨)	やや容易
使用芯数	1～2枚	2～3枚
オットー社型番 (例)	OTTO27-007	

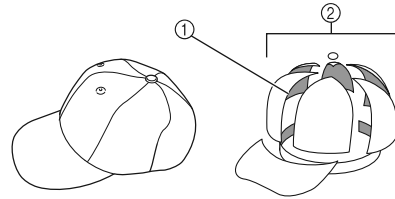
■ ロープロタイプ (球面型)



- ① 正面：球面型
- ② 6分割

裏側のメッシュの有無 (硬い/やわらかい*)	あり 硬い	なし やわらかい	あり 硬い
張り方の難易度*	容易	やや容易	容易
使用芯数	1～2枚	2～3枚	1～2枚
オットー社型番 (例)	OTTO23-255	OTTO18-202	OTTO65-758 (子供用)

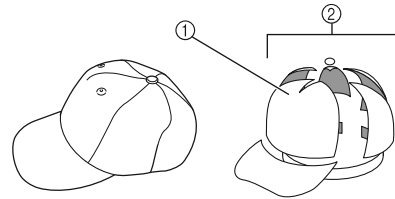
■ フラットバイザータイプ



- ① 正面：円筒型
- ② 6分割

裏側のメッシュの有無 (硬い/やわらかい*)	あり 硬い	あり 硬い
張り方の難易度*	容易	容易
使用芯数	1～2枚	1～2枚
オットー社型番 (例)	OTTO125-1038	OTTO145-1044 (子供用)

■ ゴルフタイプ

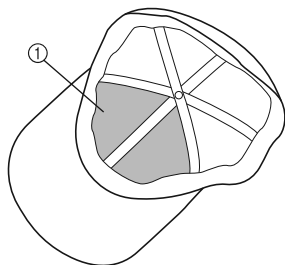


- ① 正面分割なし
- ② 5分割

裏側のメッシュの有無 (硬い/やわらかい*)	あり 硬い
張り方の難易度*	やや容易
使用芯数	1～2枚
オットー社型番 (例)	OTTO37-024

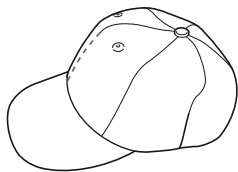
お知らせ

- メッシュの有無は、①の部分を確認してください。(下図はメッシュ有)



お願い

- ゴルフタイプの場合、帽子枠に張るときに目印となる、帽子の中心線がありません。張る前に、チャコペンなどで中心に目印を付けてください。



■ 刺しゅうできない帽子

- サンバイザーなど、帽子の正面の高さが50mm以下の帽子
- ヒサシの長さが80mmより大きい帽子

布地に関する注意

■ 推奨布地

- 木綿 35%、ポリエステル 65%
- 木綿 100%
- ウール 80%、ナイロン 20%
- ウール 15%、アクリル 85%

■ 推奨できない布地

枠に張りにくく、しわや布縮みが起きやすく、柄がずれやすい布地。

- ポリエステルフォーム
- 伸び縮みのする布地
- メルトンウール
- ナイロン 100%
- スエード

帽子枠を使うための準備

■ 帽子枠ドライバーを取り付ける

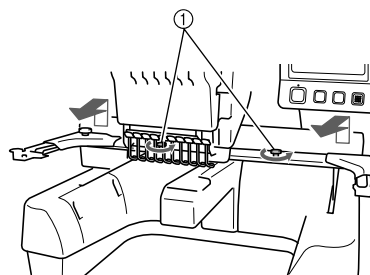
キャリッジから台枠を外して、帽子枠ドライバーを取り付けます。台枠を外す前に、刺しゅう枠を外しておいてください。

！ 注意



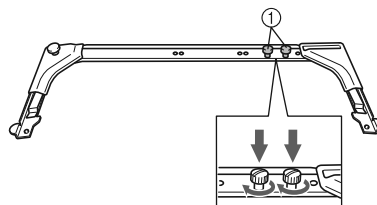
- 台枠を外す前に、電源を切ってください。

- 1 2本のつまみボルトをゆるめ、台枠とつまみボルトを取り外します。



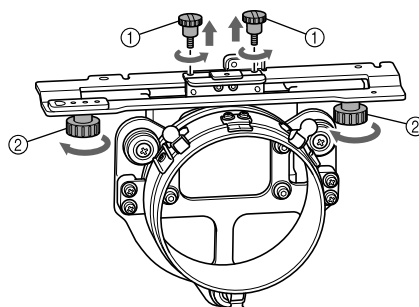
① つまみボルト

- 取り外したつまみボルトは、台枠に取り付けておきます。



- ① 2本のつまみボルトはなくさないように付けておきます。

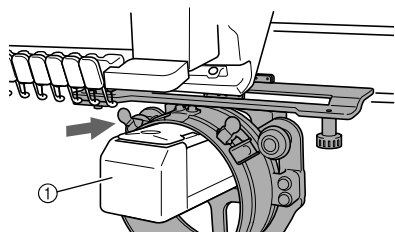
- 2 帽子枠ドライバーの上の2本のつまみボルトを外し、下の2本のつまみボルトをゆるめます。



- ① 上のつまみボルト
- ② 下のつまみボルト

③ ミシンの電源スイッチの「I」側を押し、電源を入れます。キャリッジが初期設定の位置に移動したら、電源を切ります。

④ 帽子枠ドライバーのリング内にミシンベッドを通します。



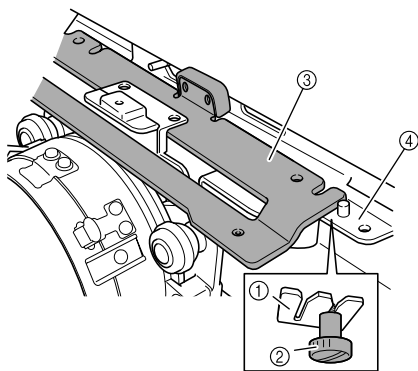
① ミシンベッド

🔔 お願い

- 帽子枠ドライバーが押えなど周りの部品に当たらないよう、注意してください。

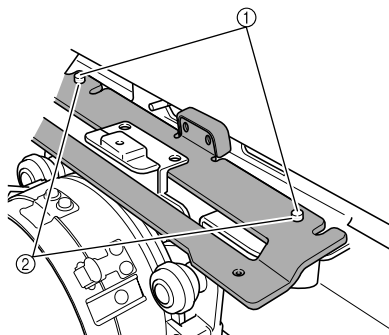
次の手順⑤～⑧で、帽子枠ドライバーをキャリッジにセットします。

⑤ 帽子枠ドライバーの下のつまみボルト2本が、キャリッジの切り欠きにはさみ込まれるようにして、帽子枠ドライバーの取付プレートをXキャリッジの上に重ねます。



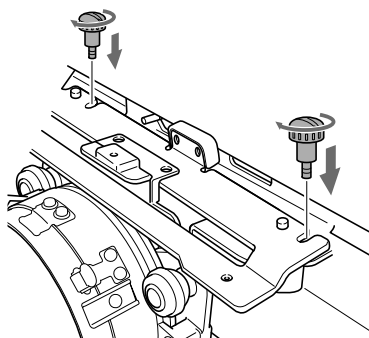
① キャリッジの切り欠き
② 帽子枠ドライバーのつまみボルト
③ 帽子枠ドライバーの取付プレート
④ Xキャリッジ

⑥ Xキャリッジのピンに、帽子枠ドライバーの取付プレートの穴を差し込みます。

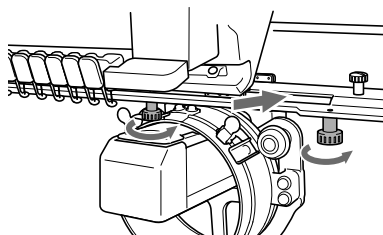


① Xキャリッジのピン
② 帽子枠ドライバーの取付プレートの穴

⑦ 手順⑤で外した2本つまみボルトを締めます。

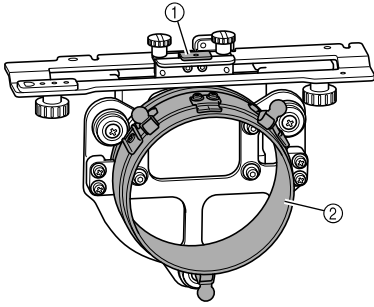


⑧ 帽子枠ドライバーが奥までしっかり入るように押さえながら、下の2本つまみボルトを締め、帽子枠ドライバーを固定します。



▶ これで帽子枠ドライバーがセットできました。

■ 帽子枠ドライバーを調整する



- ① L型取付金具
- ② リング

📖 お知らせ

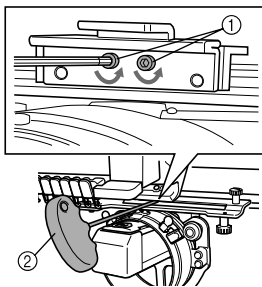
- 帽子枠ドライバーの調整は、同じミシンを使用する場合、初回以降の調整は不要です。

- 1** ミシンの電源スイッチの「I」側を押し、電源を入れます。キャリッジが初期設定の位置に移動したら、電源を切ります。

🔍 お願い

- 帽子枠ドライバーは、必ず初期設定の位置で調整してください。

- 2** 2本の六角ネジを、付属のT型六角レンチ(2.5mm)で1回、矢印の方向に回してゆるめます。

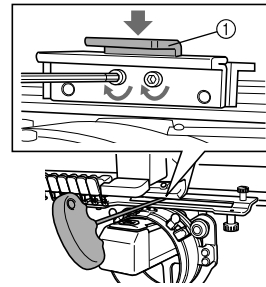


- ① 六角ネジ
- ② 付属のT型六角レンチ(2.5mm)

🔍 お願い

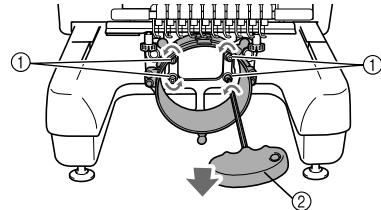
- 六角ネジは、完全に外さないでください。

- 3** L型取付金具がミシンベッドにあたるように調整したあと、2本の六角ネジをT型六角レンチ(2.5mm)でしっかりと締め付けます。



- ① L型取付金具

- 4** リング内側の4本の六角ネジを、付属のT型六角レンチ(3mm)で1回、矢印の方向に回してゆるめます。



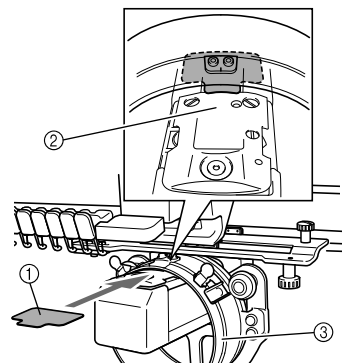
- ① 六角ネジ
- ② 付属のT型六角レンチ(3mm)

- ▶ 六角ネジがゆるむと、リングが下へ下がります。

🔍 お願い

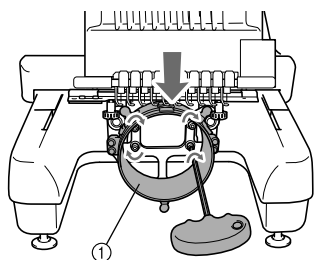
- 六角ネジは、完全に外さないでください。

- 5** 調整シートを、ミシンベッドと帽子枠ドライバーのリングの間に差し込みます。



- ① 調整シート
- ② ミシンベッド
- ③ 帽子枠ドライバーのリング

- 6** リングを軽く押し下げたあと、リング内側の4本の六角ネジを、T型六角レンチ(3mm)でしっかりと締め付けます。

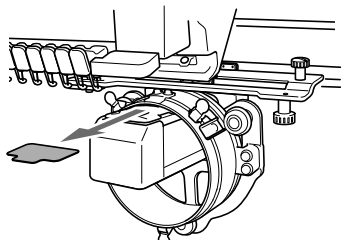


① リング

注意

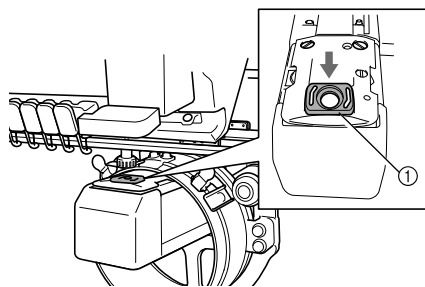
- 六角ネジはしっかりと締め付けてください。ネジがしっかりと締め付けられていないと、帽子枠ドライバーの破損の原因となります。

- 7** 手順⑥で差し込んだ、調整シートを取り外します。



針板カバーを取り付ける

本体に付属の針板カバーを針板に取り付けます。

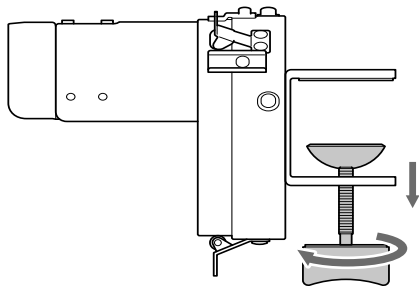


① 針板カバー

ゲージを準備する

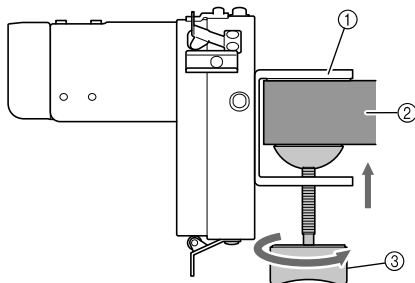
ゲージを机のような安定した取付面に取り付けます。

- 1** ゲージのつまみボルトをゆるめ、取付箇所(厚みより大きめに)取付金具を開きます。



- 取付金具は厚さ9~38mmのものへ取付可能です。

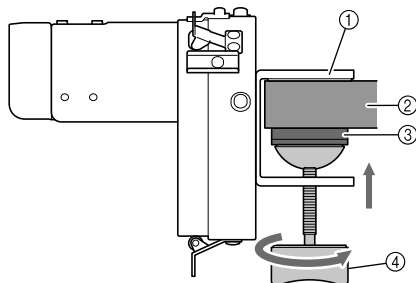
- 2** 取付金具を取付箇所(十分に)はめ込んで、つまみボルトを締めます。



- ① 取付金具
- ② 取付プレート(作業台、机など)
- ③ つまみボルトを締めます。

お知らせ

- 取付金具と取り付けプレートの間にすきまができる場合は、取り付けプレートの下に付属の調整シートを差し込んでください。



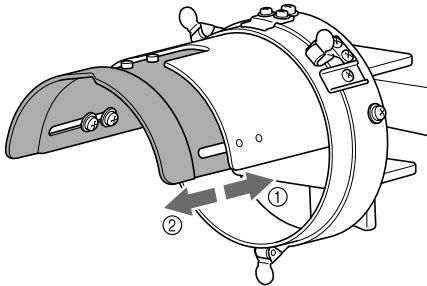
- ① 取付金具
- ② 取付プレート(作業台、机など)
- ③ 調整シート
- ④ つまみボルト

- 3** ガタつきがないか、確認します。
ガタつくときは、取り付け直します。

🔍 **お願い**

- 取付金具は十分にはめ込み、つまみボルトをしっかりと締め付け、確実に取り付けてください。
- 強度の弱い箇所（しなる、曲がる、反る）には、取り付けないでください。
- ゲージを外すときは、落下に注意してください。

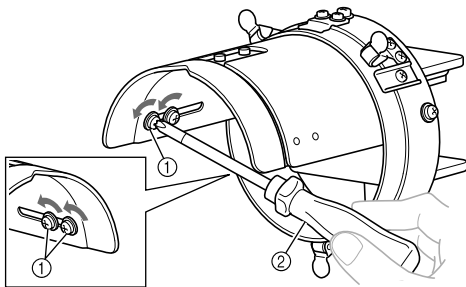
- 4** 帽子のタイプに合わせてゲージのサイズを切り替えます。



- ① ロープタイプ(球面型)
- ② 標準タイプ(円筒型)

■ **標準タイプの場合**

ゲージ内側の調節ネジ4本(左右とも)を、プラスドライバーで1回、回してゆるめます。

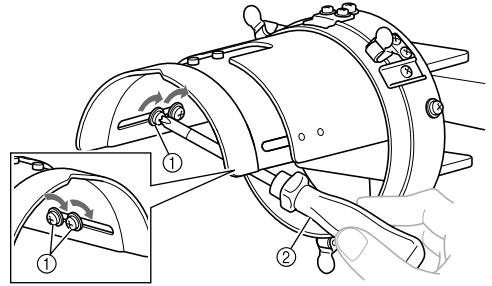


- ① 調節ネジ
- ② プラスドライバー

🔍 **お願い**

- 調節ネジ4本(左右とも)は、完全に外さないでください。紛失するおそれがあります。少しゆるめる程度に回してください。

ゲージを手前に引き、調節ネジ4本(左右とも)をプラスドライバーで締めます。

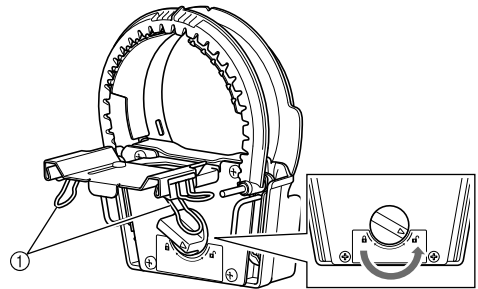


▶ ゲージの準備ができました。

■ **帽子枠の上枠を下枠から取り外す**

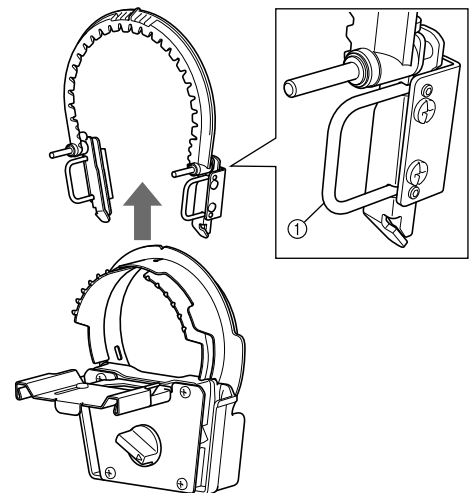
ご購入時は、帽子枠の上枠と下枠は一体となっています。上枠を下枠から取り外します。

- 1** 下枠についているクリップを取り外し、ロックダイヤルを解除位置にします。



- ① クリップ

- 2** 上枠の取手を持ち、上枠を下枠から取り外します。



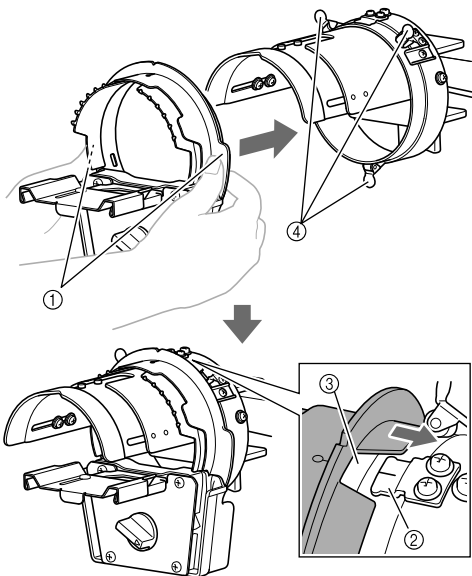
- ① 取手

帽子枠のセットのしかた

■ 帽子枠の下枠をゲージにセットする

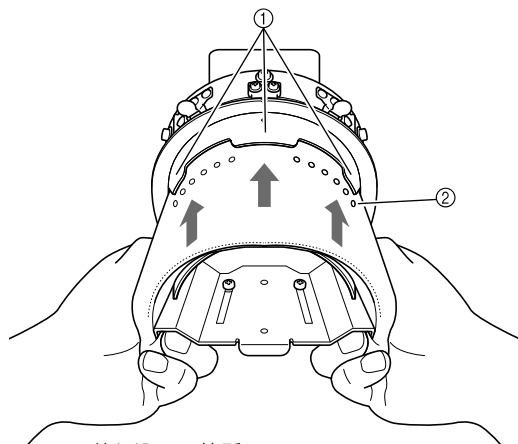
1 ゲージに帽子枠の下枠をセットします。

帽子枠の下枠の両端にある取手を持って押し込みます。
押し込むときに、ゲージ中央にある金具と帽子枠の下枠の切り欠きを合わせます。



▶ 3つの留具で帽子枠が固定されます。

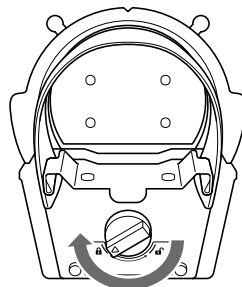
2 帽子枠の下枠の差し込み3箇所に接着芯をもぐり込ませ、ツメに接着芯を固定します。



● 接着芯からツメが出るように、しっかりと固定してください。

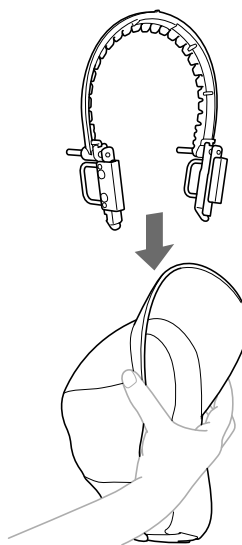
■ 帽子を帽子枠に固定する

1 下枠のロックダイヤルをロック位置にします。



2 帽子のヒサシを軽く内側に押さえながら、上枠を帽子のヒサシの付け根にセットします。

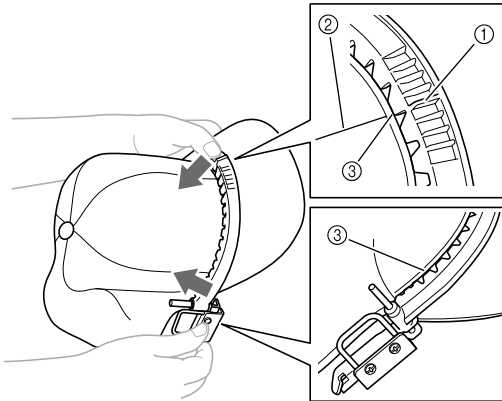
● 上枠を無理に広げないでください。破損するおそれがあります。



3 上枠の中心線を帽子の中心線に合わせ、上枠の中心部および左右端の歯を帽子のヒサシの付け根にもぐり込ませます。

帽子のヒサシを軽く内側に押さえながら行ってください。

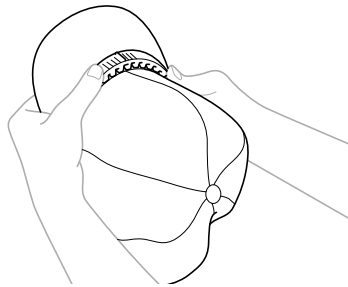
- 上枠を無理に広げないでください。破損するおそれがあります。



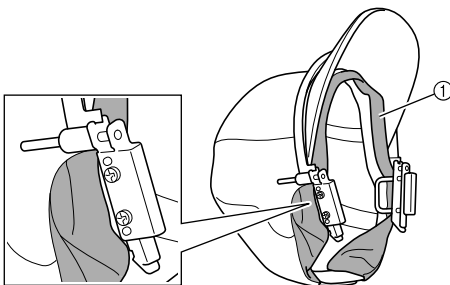
- ① 上枠の中心線
- ② 帽子の中心線
- ③ ヒサシの付け根

4 帽子のヒサシの下と上枠に手をかけて、上枠全体が帽子のヒサシの付け根に沿うように調整します。

- 帽子の種類によっては、上枠の中心部、左右端以外はヒサシにぴったり沿わないものもあります。

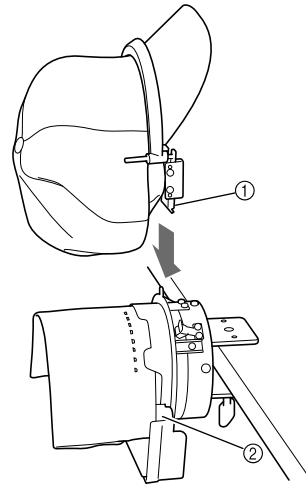


5 帽子のアセトリを立て、上枠の両端にあるピンと金具の間にアセトリを引っ掛けます。



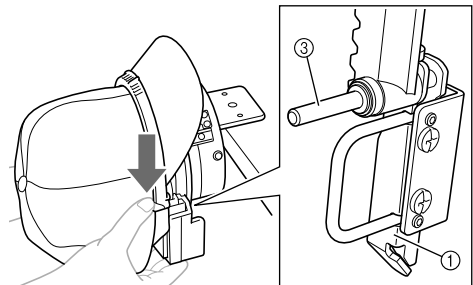
- ① アセトリ

6 上枠両端の金具が下枠両端の溝に入るように、上枠を上からセットします。



- ① 上枠の金具
- ② 下枠の溝

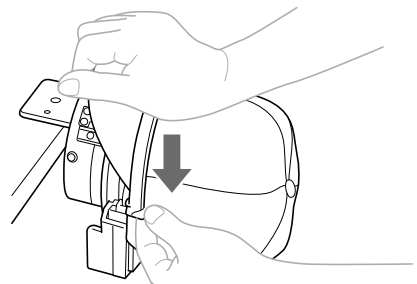
- 下枠の底部に指を掛けながら、上枠のピンを親指で下側に押しします。



- ③ 上枠のピン

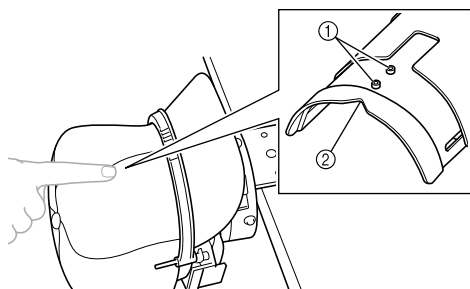
🙏 **お願い**

- 上枠を押し込みにくい場合は、上枠中央部に手を添え、下に力を掛けることで上枠を押し込みやすくなります。左右共に行ってください。



- 7** 帽子の中心線とゲージの中央にある突起およびV形溝が合っていることを確認します。

帽子の上から手で触れて確認します。

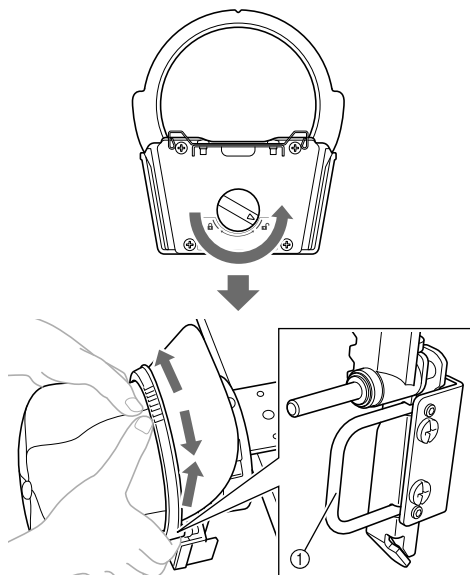


- ① 突起
② V形溝

お知らせ

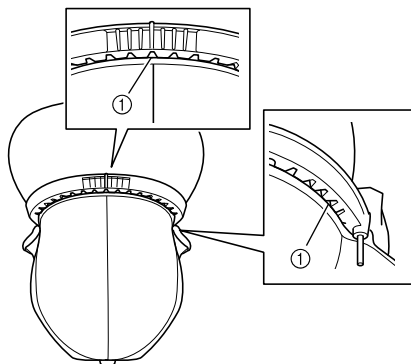
帽子の中心線が突起およびV形溝に合っていない場合：

1. 下枠のロックダイヤルを解除位置にします。
2. 上枠の取手を持ち、上枠を上方向に戻しながら、左右均等になるように調整します。
3. 再び下枠のロックダイヤルをロック位置にします。
4. 手順**6**～**7**を再度行います。



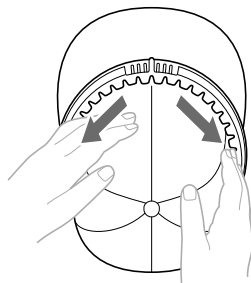
- ① 取手

- 8** 上枠の中心部および左右端の歯が帽子のヒサシの付け根にもぐり込んでいることを確認してください。

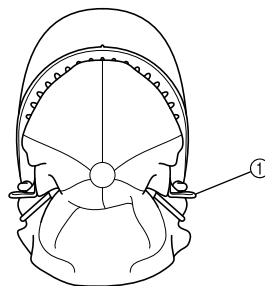


- ① ヒサシの付け根

- 9** 帽子の中央から端に向かってたるみを取り除きます。



- 10** クリップで帽子を固定します。

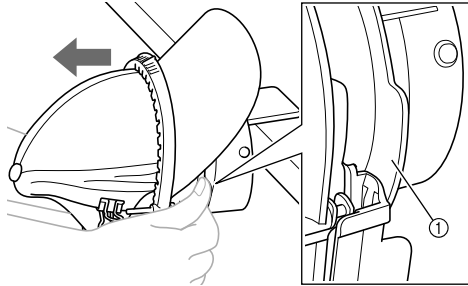


- ① クリップ

- クリップの固定位置については、P.7「帽子枠の上枠を下枠から取り外す」の手順**1**を参照してください。
- 反対側も手順**9**～**10**と同様に、たるみを取り除き、クリップで固定します。

11 帽子枠をゲージから取り外します。

図のように、帽子枠の両端にある取手を持って帽子枠を引き抜きます。取手の左右片方ずつに力を加えると外しやすくなります。



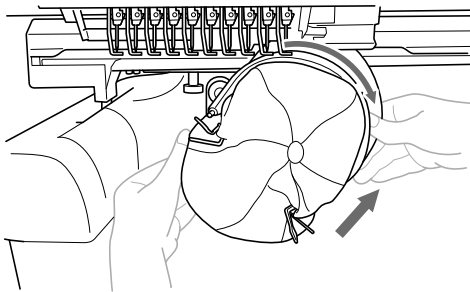
① 取手

■ 帽子枠をミシンにセットする

帽子枠をミシンにセットするには、帽子枠ドライバーが必要です。帽子枠をミシンにセットする前に、キャリッジに帽子枠ドライバーを取り付けてください。

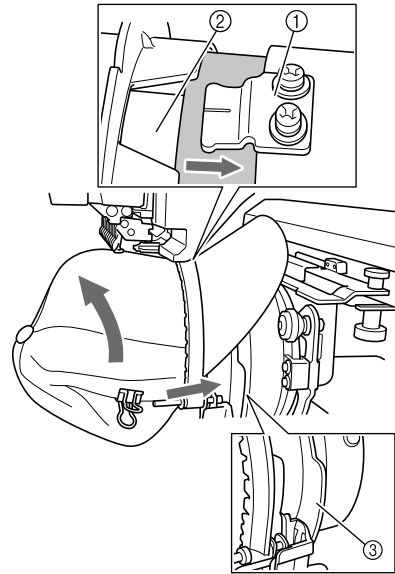
1 帽子枠ドライバーに帽子枠をセットします。

帽子のヒサシがミシンに当たらないように、図のように縫製面を横にして入れます。



- 帽子枠が押えなど周りの部品に当たらないよう、注意してください。

刺しゅう面が上になるよう帽子枠を起こした後、帽子枠ドライバーの輪と帽子枠の輪を合わせます。左右にずらしながら、帽子枠ドライバーの中央にある金具と帽子枠の切り欠きを合わせ、帽子枠の取手を持って押し込みます。

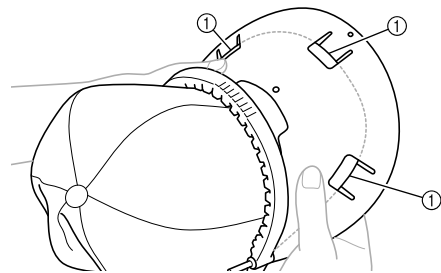


- ① 帽子枠ドライバーの金具
- ② 帽子枠の切り欠き
- ③ 取手

▶ 3つの留具で帽子枠が固定され、帽子枠がセットできました。

2 バイザーシートを帽子のヒサシにセットします。

バイザーシートの左右中央にある3か所のツメを帽子のヒサシの下に入れ、バイザーシートを上枠にぴったり合わせます。



① バイザーシートのツメ

- バイザーシートを取り付けることで、縫製時にヒサシがミシンの裏側に擦れて傷がつくことを防ぎます。
- ヒサシとミシンの裏側の隙間が十分にある場合は、バイザーシートを使用せずに縫製しても問題ありません。

🔔 お願い

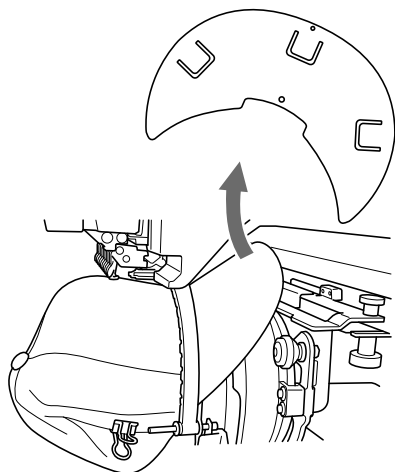
- 縫製前に必ず縫製範囲のチェックをして、帽子がミシンに干渉していないか確認してください。縫製範囲のチェックの詳しい手順については、ミシンの取扱説明書をご覧ください。
- ヒサシとミシンの裏側が干渉する場合は、上枠の押し込みが弱い可能性があります。P.8「帽子を帽子枠に固定する」の手順③の「お願い」を参考に、上枠を下枠に更に押し込んでください。

▶ これで、刺しゅうをぬうことができます。

■ 帽子枠の外し方

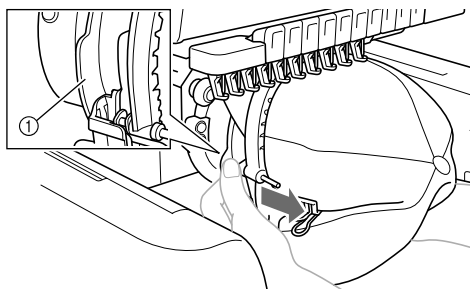
ぬい上がったら、帽子枠を取り外し、帽子を外します。

- 1 バイザーシートを帽子のヒサシから取り外します。



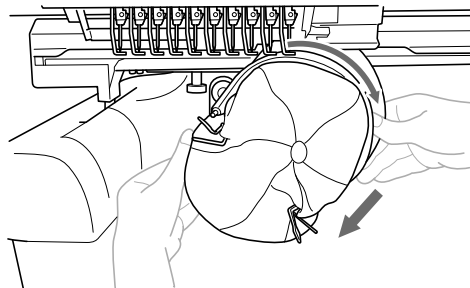
- 2 帽子枠を帽子枠ドライバーから取り外します。

図のように、帽子枠の両端にある取手を持って帽子枠を引き抜きます。取手の左右片方ずつに力を加えると外しやすくなります。



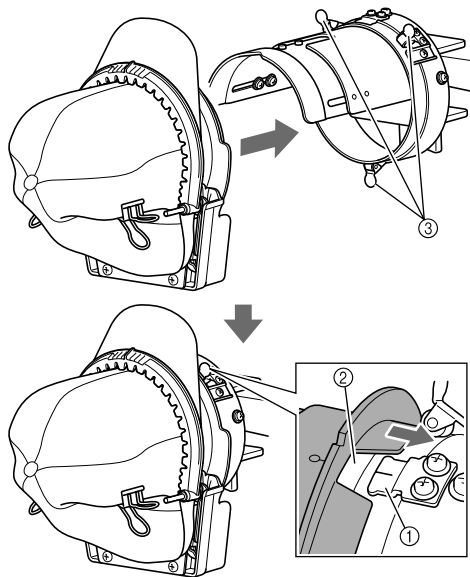
① 取手

帽子のヒサシがミシンに当たらないように、図のように縫製面を横にして取り外します。



- 帽子枠が押えなど周りの部品に当たらないよう、注意してください。

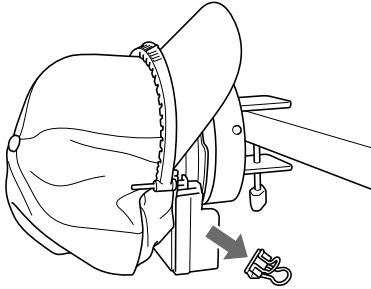
- 3 ゲージに帽子枠をセットします。押し込むときに、ゲージ中央にある金具と帽子枠の下枠の切り欠きを合わせます。



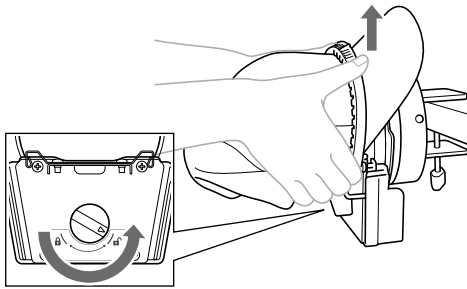
- ① ゲージの金具
- ② 下枠の切り欠き
- ③ 留具

▶ 3つの留具で帽子枠が固定されます。

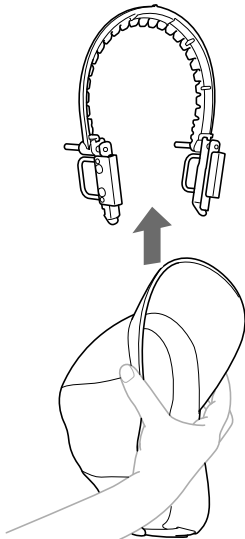
- 4 帽子からクリップを外します。



- 5 下枠のロックダイヤルを解除位置にして、上枠を下枠から取り外します。
上枠の取手を持ち、取り外してください。



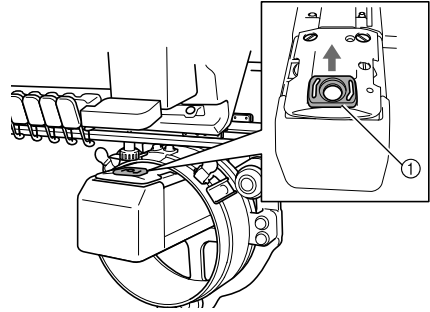
- 6 帽子のヒサシを軽く内側に押さえながら、上枠を帽子から取り外します。



台枠の取り付け方

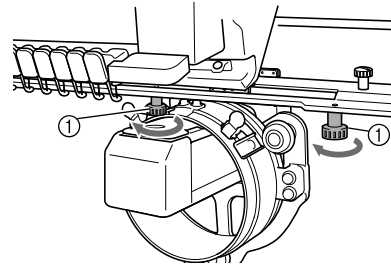
帽子枠を使い終わったら、針板カバーと帽子枠ドライバーを外し、台枠を取り付けます。

- 1 針板カバーを取り外します。



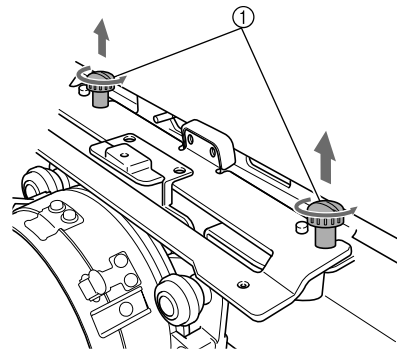
① 針板カバー

- 2 下の2本つまみボルトをゆるめます。



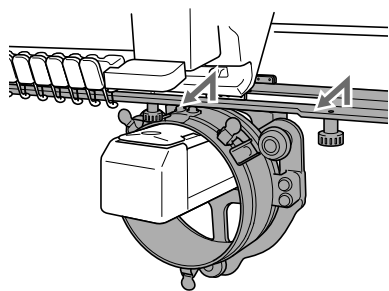
① つまみボルト

- 3 上の2本つまみボルトを外します。



① つまみボルト

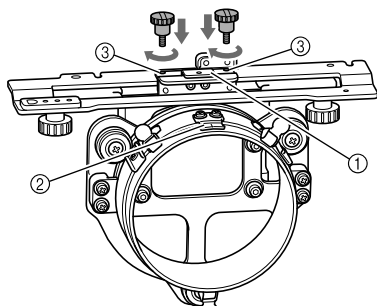
4 帽子枠ドライバーを取り外します。



🔔 お願い

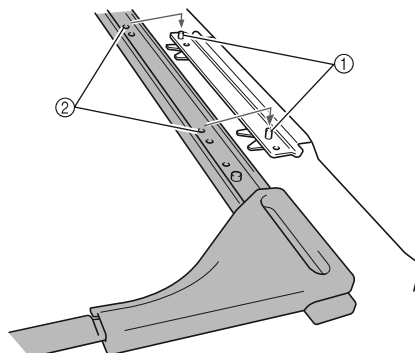
- 帽子枠ドライバーが押えなど周りの部品に当たらないよう、注意してください。

5 帽子枠ドライバーのアセトリ留めの穴と中央にある金具の中心線の位置を合わせ、天面の穴に、手順③で外した2本つまみボルトを締め付けます。



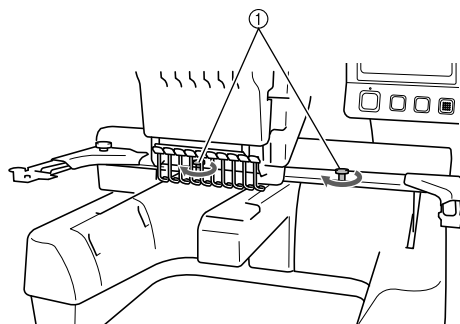
- ① アセトリ留めの穴
- ② 金具の中心線
- ③ 天面の穴
- つまみボルトが元々付いていた帽子枠ドライバーの穴に締め付けます。
- ▶ 帽子枠ドライバーの可動部が固定されます。

6 Xキャリッジのピンと台枠の穴を合わせ、2本つまみボルトで留めます。



- ① Xキャリッジのピン
- ② 台枠の穴

7 台枠を2本つまみボルトで固定します。



- ① ミシン付属のつまみボルトを使います。

! 注意

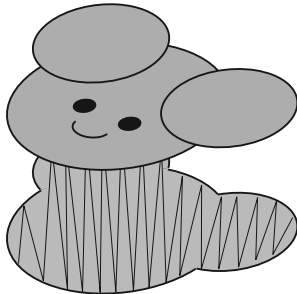


- つまみボルトは、確実に締めてください。

刺しゅうデータ作成上の注意

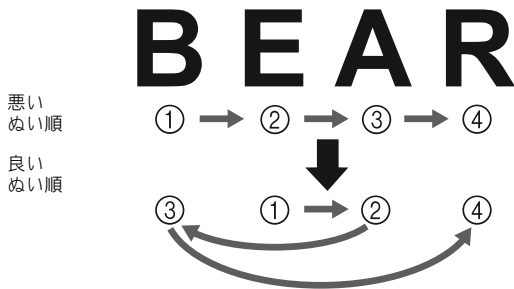
布じわや布縮みによる柄ずれを防ぐため、帽子用の刺しゅう模様データを作成するときに、次の点に注意してください。

① 必ず、地ぬい(下打ち)を入れます。



② 中心から左右両サイドに向かってぬわれるよう、ぬい順、ぬい方向を指定します。

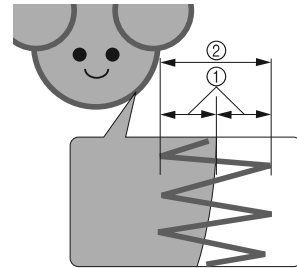
このミシンでは、模様の組み合わせ時に模様を選んだ順が、ぬい順となります。下記の例の場合は、「E」→「A」→「B」→「R」の順で模様を選び、「BEAR」と配置してください。



🌟 お願い

- 端から端への単方向でぬわないでください。布じわや布縮みの原因となります。

③ 模様の輪郭をフチぬいするときは、模様と1mm以上重なるよう、サテンぬいのぬい幅を2mm以上に指定してください。また、1模様(文字)ごとにフチぬいを行い、渡り糸の処理をすると、より確実に仕上がります。

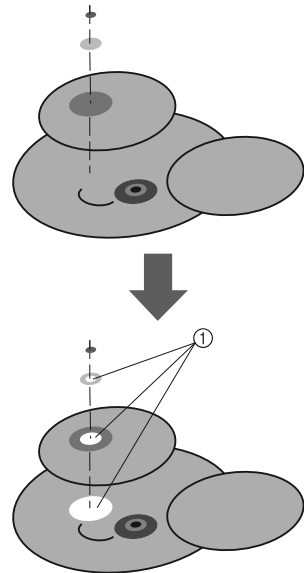


- ① 1mm 以上
- ② 2mm 以上

⚠️ 注意



- 4回以上の重ねぬいはしないでください。



- ① 重なっている部分をぬわないよう、データ作成時に注意してください。

English
Chinese-simp (简体中文)
Japanese



XH5065-001