

CYLINDER FRAME USER'S GUIDE
MANUEL DE L'UTILISATEUR DU CADRE CYLINDRIQUE
GUÍA DEL USUARIO DEL BASTIDOR CILÍNDRICO

ENGLISH

FRANÇAIS

ESPAÑOL

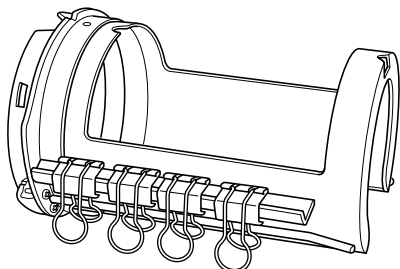
Cylinder Frame User's Guide

INCLUDED ACCESSORIES	2
IMPORTANT NOTE	3
EMBROIDERY SAMPLES USING THE CYLINDER FRAME	3
DIAMETER AND DEPTH OF BAGS AND CYLINDRICAL ITEMS THAT CAN BE EMBROIDERED	4
Bags (purses or cases)	4
Knit ribbing on cuffs (such as on golf club covers)	4
Cylindrical items (such as pant legs or shirts)	4
FABRICS	5
PREPARING TO USE THE CYLINDER FRAME	5
Installing the cylinder frame driver	5
Adjusting the cylinder frame driver (only when used for the first time)	7
Installing the needle plate spacer	8
Preparing the cylinder frame mounting jig	8
INSTALLING THE CYLINDER FRAME	9
Hooping the fabric in the cylinder frame	9
Attaching the cylinder frame to the machine	11
Removing the cylinder frame	12
INSTALLING THE EMBROIDERY FRAME HOLDER	12
ADDITIONAL DIGITIZING INFORMATION	14

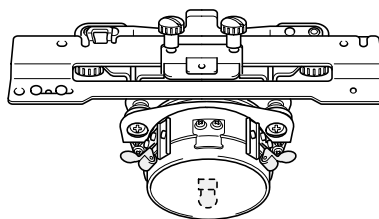
Included accessories

Check that the following cylinder frame, cylinder frame driver, cylinder frame mounting jig and the accessories are included. If any item is missing or damaged, contact your authorized retailer.

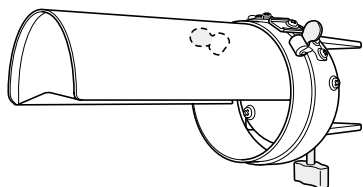
①



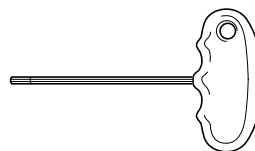
②



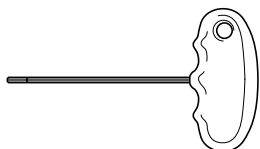
③



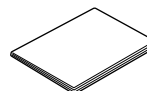
④



⑤



⑥

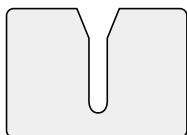


No.	Part Name
①	Cylinder frame with 8 clips (Embroidering area (90 mm (wide) × 80 mm (high)))
②	Cylinder frame driver and 4 thumb screws (Attach the cylinder frame driver to the carriage in order to use the cylinder frame.)
③	Cylinder frame mounting jig (Use when hooping fabric in the cylinder frame.)
④	Allen wrench (3 mm)
⑤	Allen wrench (2.5 mm)
⑥	User's guide

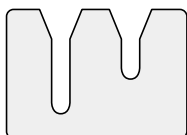
Important note

- Do not place floppy disks or magnetic cards near the cylinder frame driver. The cylinder frame driver is equipped with extremely strong magnets, which may affect magnetic media.
- Before installing the cylinder frame driver, verify the version of your machine by checking the shape of the notch in the connecting plate installed on the carriage.

Split in two (before upgrading)



Split in three (after upgrading)



- If the notch is not split in three, the embroidery machine is the older version. Purchase the upgrade kit (sold separately) and upgrade the embroidery machine. For details, contact your authorized retailer.
- Before installing the cylinder frame, be sure to adjust the cylinder frame driver. If the same machine is being used, this adjustment is only required the first time that it is used. For details, refer to "Adjusting the cylinder frame driver (only when used for the first time)" on page 7.
- After the cylinder frame driver has been adjusted, it must be adjusted again if a different machine is being used. Adjust the driver for each machine that is used. For details, contact your authorized retailer.



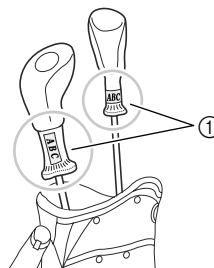
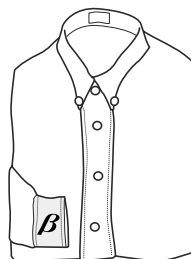
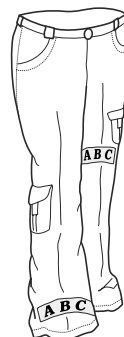
Memo

- When the cylinder frame is attached, the following embroidery frame indicator (indicator showing the embroidery frames that can be used) appears.



By using the cylinder frame, patterns can be embroidered onto bags and cylindrical items. The procedures for using the cylinder frame are described below.

Embroidery samples using the cylinder frame



① Only this area can be embroidered.



Memo

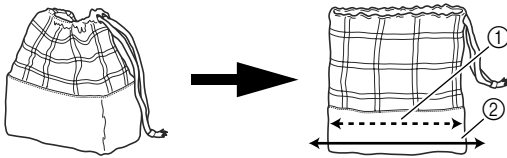
- There are various conditions on the size and fabric in order to embroider. For details on these conditions, refer to page 4 through 5.
- When embroidering golf club covers, check that the fabric is elastic and is a size that fits in the cylinder frame. In addition, only one-point embroidery patterns can be sewn in the area indicated in the illustration.

Diameter and depth of bags and cylindrical items that can be embroidered

The items embroidered using the cylinder frame must have the diameter and depth shown below. The diameter refers to the width of the bag or cylindrical item, and the depth refers to the height of the bag or cylindrical item.

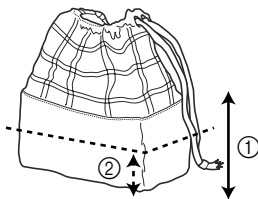
■ Bags (purses or cases)

- Diameter



- ① 155 mm (6 1/8 inches)
- ② Must have a width of 155 mm (6 1/8 inches) or more (when folded).

- Depth



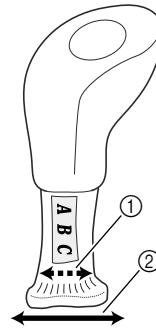
- ① Must have a height of 70 mm (2 3/4 inches) or more from the bottom.
- ② 70 mm (2 3/4 inches)



Memo

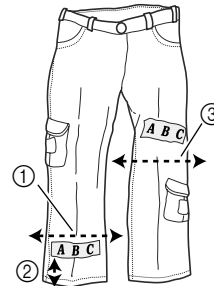
- The embroidering position on bags differs depending on the width of the bag.
 - With a width of 155 mm (6 1/8 inches) or less: The embroidery can be sewn at a height of 70 mm (2 3/4 inches) or more from the bottom.
 - With a width of 155 mm (6 1/8 inches) or more: The height of the embroidery position depends on the width of the bag.

■ Knit ribbing on cuffs (such as on golf club covers)



- ① 155 mm (6 1/8 inches)
- ② Must have a width of 155 mm (6 1/8 inches) or more (when folded).

■ Cylindrical items (such as pant legs or shirts)



- ① 155 mm (6 1/8 inches) or more
- ② 22mm (7/8 inch) or more
- ③ 175 mm (6 7/8 inches) or more

- Diameter: Must have a width of 155 mm (6 1/8 inches) or more (when folded).
- Depth: Must be 22mm (7/8 inch) or more from the hem.



Memo

- When embroidering at a position more than 130 mm (5 1/8 inches) from the pant hem, such as at the knee, the width must be 175 mm (6 7/8 inches) or more when folded.

Fabrics

For best results, it is recommended to use the following types of fabrics.

- 100% cotton
- 35% cotton/65% polyester
- 80% wool/20% nylon
- 15% wool/85% acrylic

Fabrics that are difficult to hoop, wrinkle easily or shrink are not recommended to be used with the cylinder frame. Fabrics such as:

- Polyester foam
- Stretch fabrics
- Melton wool
- 100% nylon
- Suede



Note

- Patterns that misalign easily should not be embroidered using this cylinder frame.
- Only use one-point embroidery patterns or letters on ribbed knit fabrics.

Preparing to use the cylinder frame

■ Installing the cylinder frame driver

Remove the embroidery frame holder from the carriage, and then install the cylinder frame driver.

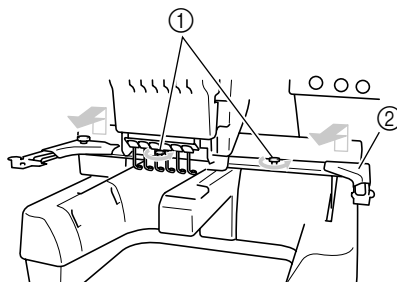


Memo

- Before removing the embroidery frame holder, remove the embroidery frame. For details on the removal procedure, refer to "Removing the embroidery frame" in the Operation Manual.

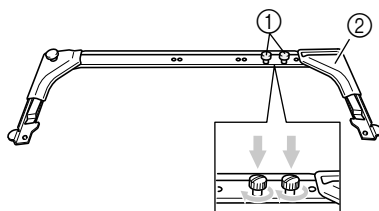
1

Loosen and remove the two thumb screws, and then remove the embroidery frame holder.



- ① Thumb screws
- ② Embroidery frame holder

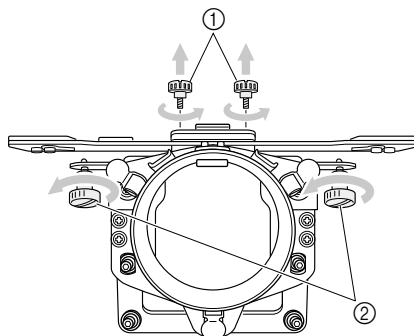
- The removed thumb screws remain attached to the embroidery frame holder.



- ① Leave the two thumb screws attached so they are not lost.
- ② Embroidery frame holder

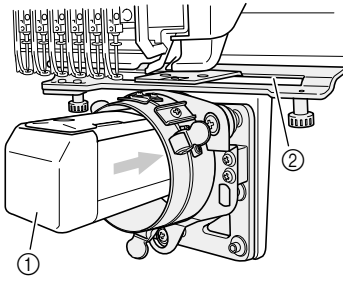
2

Remove the two upper thumb screws of the cylinder frame driver, and then loosen the two lower thumb screws.



- ① Upper thumb screws (smaller)
- ② Lower thumb screws (larger)

- 3** Pass the machine bed through the ring of the cylinder frame driver.



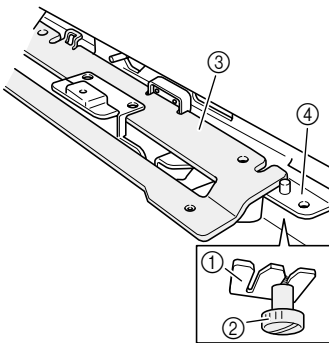
- ① Machine bed
② Gap in the mounting plate



Note

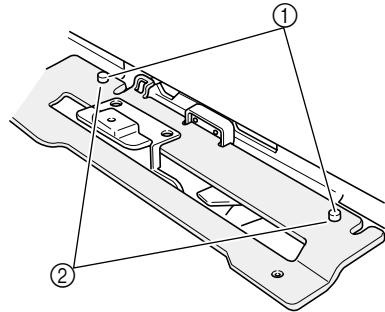
- Be careful that the cylinder frame driver does not hit any nearby parts, such as the presser foot or the gap in the mounting plate.

- 4** Insert the two thumb screws at the bottom of the cylinder frame driver into the notches in the carriage, and then place the mounting plate of the cylinder frame driver on top of the X carriage.



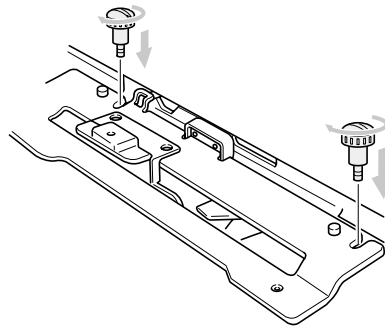
- ① Notch in the carriage
② Thumb screw of the cylinder frame driver
③ Mounting plate of the cylinder frame driver
④ X carriage

- 5** Insert the pins on the X carriage into the holes in the mounting plate of the cylinder frame driver.

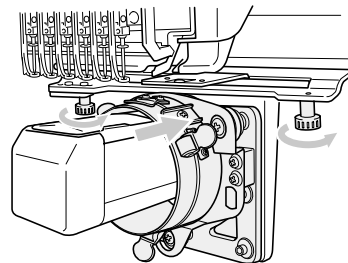


- ① Pins on the X carriage
② Holes in the mounting plate of the cylinder frame driver

- 6** Tighten the two thumb screws removed in step 2.



- 7** While pushing in the cylinder frame driver so that it is fully inserted, tighten the two lower thumb screws to secure the cylinder frame driver.



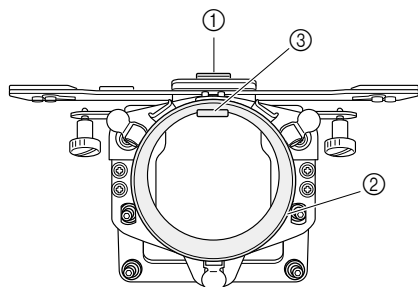
- ▶ This completes the installation of the cylinder frame driver.



Memo

- Using the disc-shaped screwdriver included with the embroidery machine, firmly tighten the thumb screws.

■ Adjusting the cylinder frame driver (only when used for the first time)



- ① L-shaped mounting bracket
- ② Ring
- ③ Fitting in ring



Note

- Adjust the cylinder frame driver only when it is being used for the first time. If the same machine will be used, this adjustment will not be required with later uses. However, if the cylinder frame driver is used with a different machine and the settings are changed, the adjustment must be performed again.

1

Set the main power switch to "I" to turn on the machine. After the carriage moves to its initial position, turn off the machine.

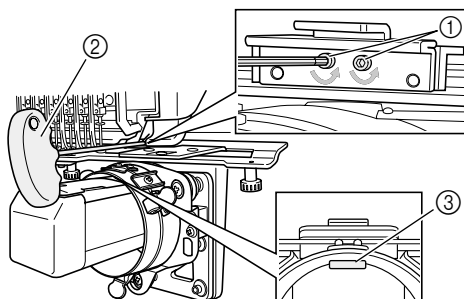


Memo

- Be sure to adjust the cylinder frame driver at its initial position. For details on the initial position, refer to the Operation Manual.

2

Using the enclosed Allen wrench (2.5 mm), turn the two hexagonal screws one turn in the direction of the arrow to loosen them. When the hexagonal screws are loosened, the fitting in the ring is lowered.



- ① Hexagonal screws
- ② Enclosed Allen wrench (2.5 mm)
- ③ Fitting in ring

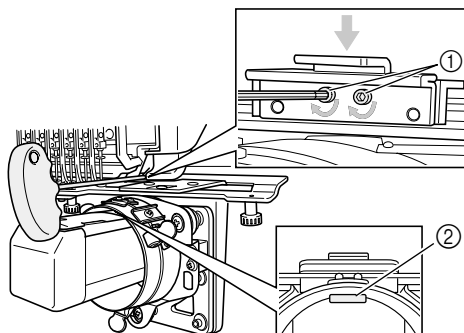


Note

- Do not remove the hexagonal screws.

3

While lightly pressing down with your finger on the L-shaped mounting bracket so that it touches the top surface of the machine bed, use the Allen wrench (2.5 mm) to firmly tighten the two hexagonal screws.



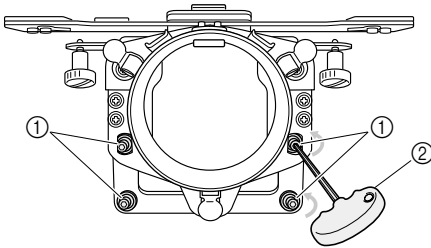
- ① L-shaped mounting bracket
- ② Fitting in ring



Memo

- Firmly tighten the hexagonal screws so that the fitting in the ring touches the surface of the machine bed.

- 4** Using the enclosed Allen wrench (3 mm), turn the four hexagonal screws outside the ring one turn in the direction of the arrow to loosen them.



- ① Hexagonal screws
- ② Enclosed Allen wrench (3 mm)

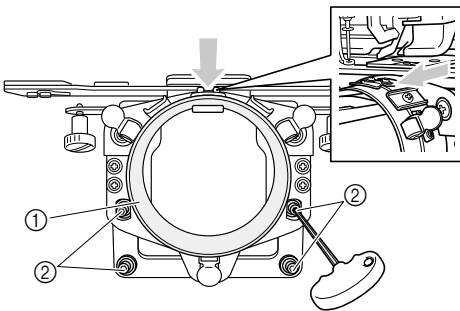
- ▶ When the hexagonal screws are loosened, the ring can be lowered.



Memo _____

- Do not remove the hexagonal screws.

- 5** While lightly pressing down on the ring, so that the spacing between the ring and the bed are equal on the left and right sides, use the Allen screwdriver (3mm) to evenly tighten the opposite hexagonal screws on the outside of the ring, and then tighten the other two hexagonal screws. Firmly tighten all 4 screws.



- ① Ring
- ② Hexagonal screws

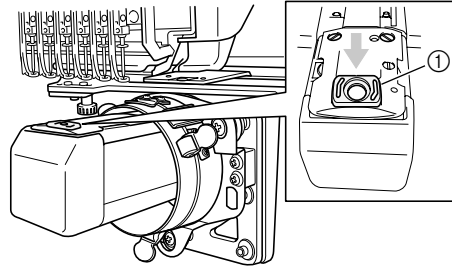


Note _____

- If the screws are not firmly tightened, the cylinder frame driver may be damaged.
- To avoid damage to the machine or fabric, make sure that no excess material is allowed into the gap.

■ Installing the needle plate spacer

Attach the needle plate spacer (included with the machine) to the needle plate.

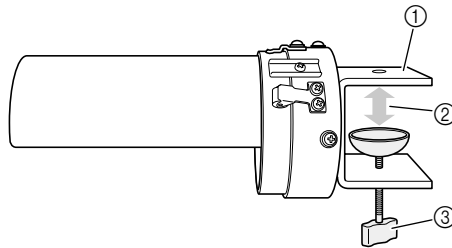


- ① Needle plate spacer

■ Preparing the cylinder frame mounting jig

Attach the cylinder frame mounting jig to a level, stable surface, such as a desk.

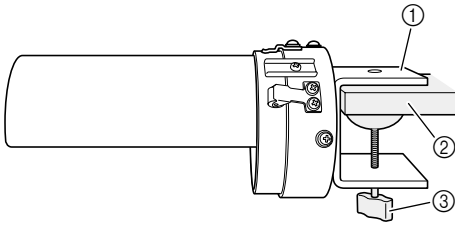
- 1** Loosen the mounting jig thumb screw to increase the space in the mounting bracket so that it is wider than the thickness of the mounting surface.



- ① Mounting bracket
- ② Open to desired width.
- ③ Thumb screw

- The mounting bracket can be attached to a surface 9 to 38 mm (11/32 to 1 1/2 inches) thick.

- 2** Securely clamp the mounting bracket onto the mounting surface, and then tighten the thumb screw.



- ① Mounting bracket
- ② Mounting surface (worktable, desk, etc.)
- ③ Tighten the thumb screw.

- 3** Check that the mounting jig is secure.

If the mounting jig is not firmly secured to the mounting surface, re-attach the mounting jig and tighten the thumb screw.



Note

- Make sure that the mounting bracket is securely clamped onto the mounting surface and that the thumb screw is firmly tightened.
- Do not attach the mounting jig to an unstable surface (flexible, bent or warped).
- Be careful that the cylinder frame mounting jig does not fall when it is removed.

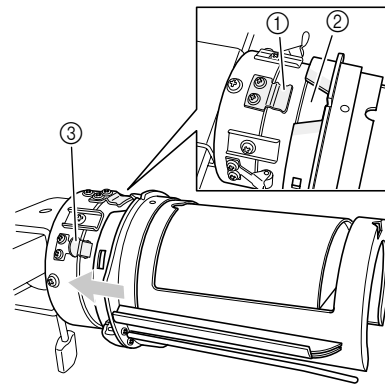
Installing the cylinder frame

Hoop the fabric in the cylinder frame, and then attach the cylinder frame to the cylinder frame driver.

■ Hooping the fabric in the cylinder frame

- 1** Attach the cylinder frame to the cylinder frame mounting jig.

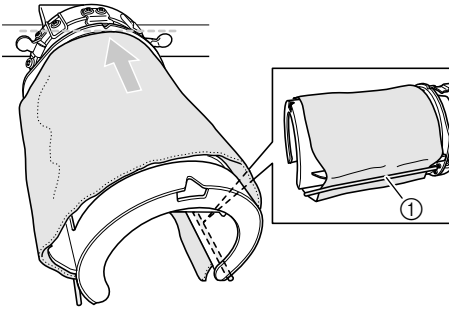
Align the notch in the cylinder frame with the guiding plate on the cylinder frame mounting jig. Hold the frame horizontal with the mounting jig and push the frame in until it snaps into place.



- ① Guiding plate on cylinder frame mounting jig
- ② Notch in cylinder frame
- ③ Mounting jig holder

- The cylinder frame is secured with the two holders.

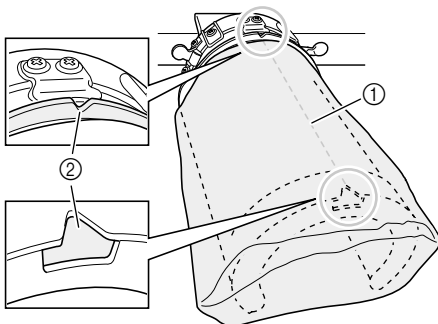
2 Position the stabilizer into the stabilizer holder on the cylinder frame.



① Stabilizer holder

- There is a stabilizer holder on the left side and on the right side. On one side, insert the end of the stabilizer between the stabilizer holder and the cylinder frame. Wrap the top of the cylinder frame and extend the stabilizer to the stabilizer holder on the opposite side. Straighten and firmly position the stabilizer.
- Secure the stabilizer so that it does not extend past the dotted line in the direction of the arrow shown in the illustration above.
- Depending on the type of fabric used, it may be necessary to use two to three layers of stabilizer for successful embroidering.
- It is recommended to use stabilizer 130 mm x 250 mm (5" x 7") in size. If the stabilizer is too large, it may be difficult to hoop the fabric.

3 Align the center of the design placement with the notch in the cylinder frame mounting jig.

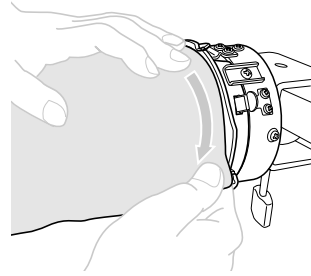


① Center of design placement
② Notch in cylinder frame mounting jig

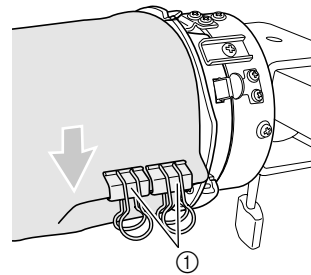
Memo

- Before positioning the fabric and stabilizer in the frame, mark the center of the design placement with a chalk pencil.

4 Pull the ends of the fabric out from the center to remove any slack. Be careful not to shift the center of the design placement.



5 Use the clips to secure the fabric and stabilizer.



① Clips

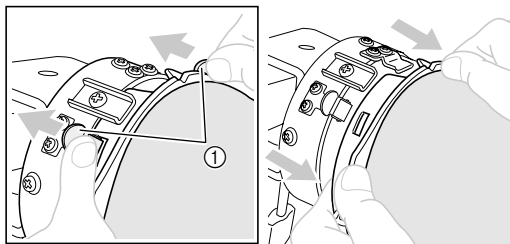
- Repeat steps 4 and 5 on the other side to remove any slack and secure the fabric with the clips.

Note

- When securing the fabric with the clips, the handles (rings) should be pointing downward.

6 Remove the cylinder frame from the cylinder frame mounting jig.

Press on the two holders on the mounting jig with both thumbs, and then pull the cylinder frame straight off in the direction of the arrow shown in the illustration.



① Mounting jig holders

Note

- When removing the cylinder frame from the mounting jig, carefully pull the frame off so that the fabric and stabilizer are not misaligned.

■ Attaching the cylinder frame to the machine

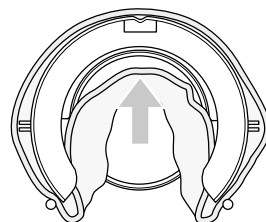
Memo

- Before attaching the cylinder frame to the embroidery machine, attach the cylinder frame driver to the machine carriage. For details on the installation procedure, refer to “Installing the cylinder frame driver” on page 5.

1 Attach the cylinder frame to the cylinder frame driver.

Note

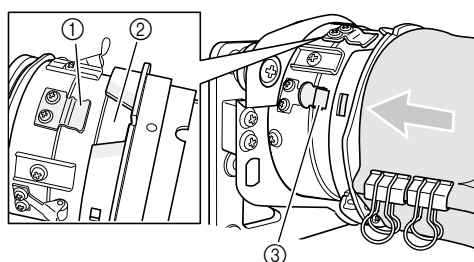
- When attaching the cylinder frame to the machine,
 - Be careful that the cylinder frame or fabric does not hit the presser foot, gap in the mounting plate, or other machine parts.
 - Check that the fabric does not cup inside the cavity of the cylinder frame.



2 Now embroider your pattern.

With the embroidering surface up, align the ring of the cylinder frame driver with the ring of the cylinder frame. Align the notch in the frame with the guiding plate on the driver, and then push the frame until it snaps into place.

Three driver holders secure the cylinder frame in place.



- ① Guiding plate on the cylinder frame driver
- ② Notch in cylinder frame
- ③ Driver holder

Note

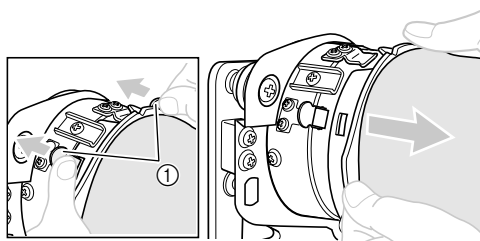
- To avoid damage to the machine or fabric, secure any excess fabric that is close to any moving parts, in small areas of the cylinder frame driver, or within the embroidery area.
- When sewing large garments, support the weight of the garment so as not to distort the embroidery pattern.

■ Removing the cylinder frame

After finishing sewing, remove the cylinder frame, then the fabric.

1 Remove the cylinder frame from the cylinder frame driver.

Press down the two holders at the base of the cylinder frame with both thumbs, and then pull the cylinder frame off of the machine, as shown in the illustration.



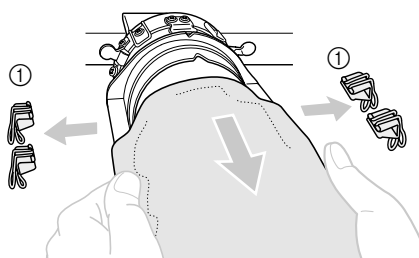
① Driver holders



Note

- When removing the cylinder frame, be careful not to hit the presser foot or any nearby machine parts.

2 Remove the clips, and then pull the fabric toward you to release stabilizer from the stabilizer holder.

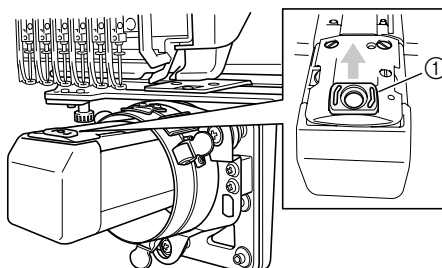


① Clips

Installing the embroidery frame holder

After removing the needle plate spacer and the cylinder frame driver, re-attach the embroidery frame holder.

1 Remove the needle plate spacer.



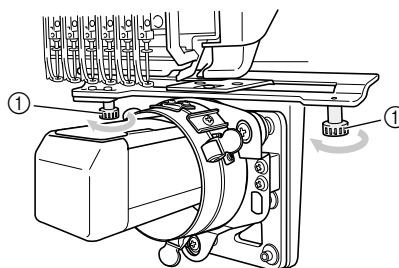
① Needle plate spacer



Note

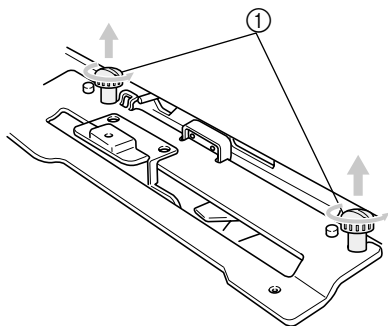
- Remove the needle plate spacer from the top. It may be damaged if it is pulled toward you with force.

2 Loosen the two lower thumb screws.



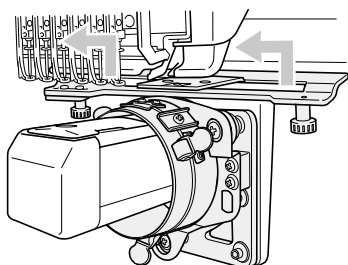
① Thumb screw

3 Remove the two upper thumb screws.



① Thumb screws

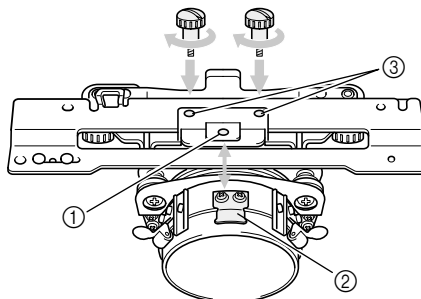
4 Remove the cylinder frame driver.



Note

- Be careful that the cylinder frame driver does not hit any nearby parts, such as the presser foot and other machine parts.

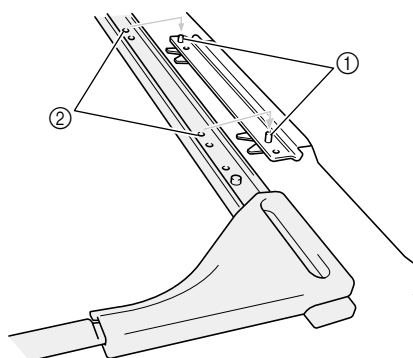
5 Align the hole in the L-shaped mounting bracket for the cylinder frame driver with the centerline of the guiding plate, insert the two thumb screws removed in step 3 into the holes at the top, and then tighten the thumb screws.



- ① Hole in L-shaped mounting bracket
- ② Centerline of guiding plate
- ③ Hole at the top

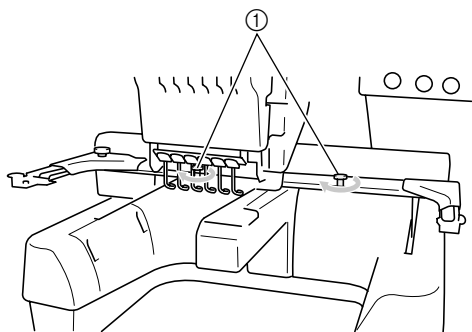
- Insert the thumb screws into the holes where the cylinder frame driver was originally installed (holes that the thumb screws were removed from in step 3).
- ▶ The movable section of the cylinder frame driver is secured.

6 Align the holes in the embroidery frame holder with the pins on the X carriage, and then secure the embroidery frame holder with the two thumb screws.



- ① Pins on the X carriage
- ② Holes in the embroidery frame holder

- 7** Secure the embroidery frame holder with the two thumb screws.



- ① Use the thumb screws included with the embroidery machine (thumb screws removed in step ① on page 5).



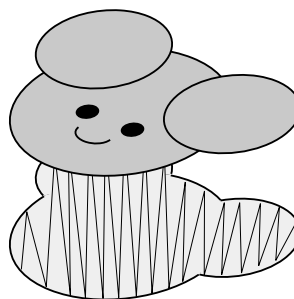
Memo

- Using the disc-shaped screwdriver included with the embroidery machine, firmly tighten the thumb screws.

Additional digitizing information

In order to prevent pattern misalignment due to wrinkled or stretched fabric, observe the following precautions when creating embroidery data for the cylinder frame.

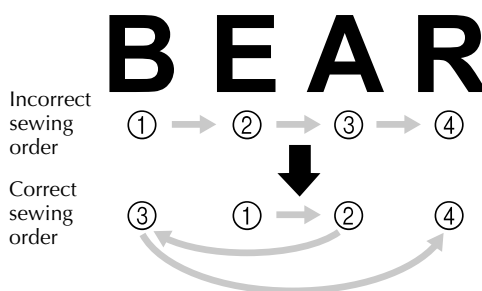
- 1** Sew underlay stitches.



- 2** Specify the sewing order and sewing direction to start at the center of the embroidery pattern and sew toward the left and right sides.

With this embroidery machine, the order in which patterns are selected when they are combined is the order in which they will be sewn.

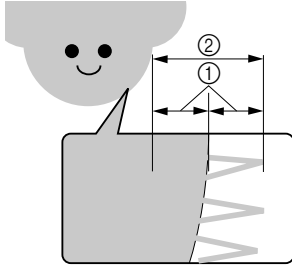
For the following example, select the patterns in the order "E" -> "A" -> "B" -> "R" to make the combined pattern "BEAR".



Note

- Do not sew from one end to the other, otherwise wrinkling or shrinkage may occur.

- 3** When sewing outlines of patterns, make sure that the stitch width of the satin stitching is at least 3 mm, and that the stitching overlaps the fabric by at least 1.5 mm. Also, make sure that there are no jumps of long stitches in the outlining on each region or letter.

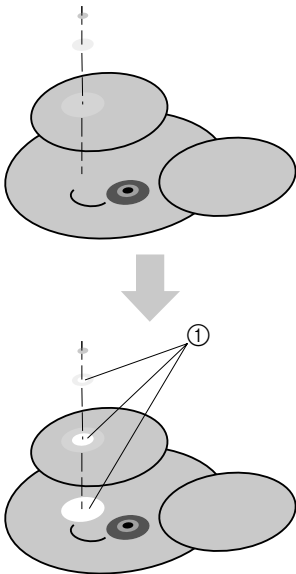


- ① 1.5 mm or more
- ② 3 mm or more



Note

- Do not sew more than four overlapping layers.



- ① Create the data so that overlapping areas are not sewn.

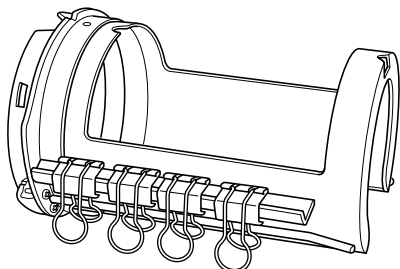
Manuel de l'utilisateur du cadre cylindrique

ACCESSOIRES FOURNIS	18
REMARQUE IMPORTANTE	19
ECHANTILLONS DE BRODERIE AVEC LE CADRE CYLINDRIQUE	19
DIAMÈTRE ET PROFONDEUR DES SACS ET PIÈCES CYLINDRIQUES À BRODER	20
Sacs (bourses ou étuis)	20
Côtes en tricot sur manchettes (capuchons pour club de golf)	20
Pièces cylindriques (jambes de pantalon ou chemises)	20
TISSUS	21
PRÉPARATION DU CADRE CYLINDRIQUE	21
Installation du support du cadre cylindrique	21
Réglage du support du cadre cylindrique (uniquement lors de la première utilisation)	23
Installation de la cale d'épaisseur de la plaque à aiguille	24
Préparation du dispositif d'assemblage du cadre cylindrique	24
INSTALLATION DU CADRE CYLINDRIQUE	25
Mise en place du tissu dans le cadre cylindrique	25
Fixation du cadre cylindrique sur la machine	27
Retrait du cadre cylindrique	28
INSTALLATION DU SUPPORT DU CADRE DE BRODERIE	28
INFORMATIONS DE NUMÉRISATION COMPLÉMENTAIRES	30

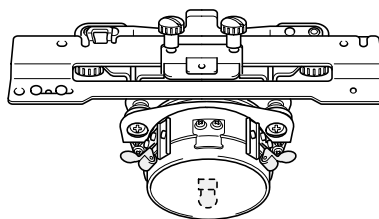
Accessoires fournis

Vérifiez que le cadre cylindrique, son support, son dispositif d'assemblage et les accessoires sont inclus. Si un élément manque ou est endommagé, contactez un revendeur agréé.

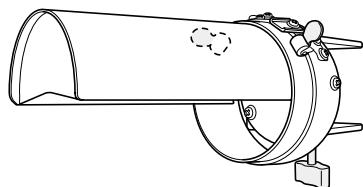
①



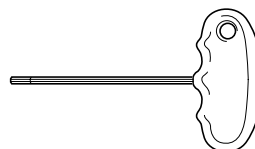
②



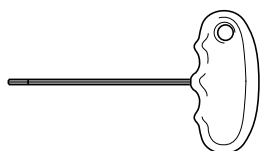
③



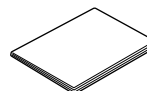
④



⑤



⑥

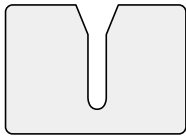


N°	Nom de la pièce
①	Cadre cylindrique avec 8 attaches (Zone de broderie (90 mm (largeur) × 80 mm (hauteur)))
②	Support du cadre cylindrique et 4 vis à serrage à main (Fixer le support du cadre cylindrique au chariot pour utiliser le cadre cylindrique.)
③	Dispositif d'assemblage du cadre cylindrique (A utiliser lors de la mise en place du tissu dans le cadre cylindrique.)
④	Clé Allen (3 mm)
⑤	Clé Allen (2,5 mm)
⑥	Manuel de l'utilisateur

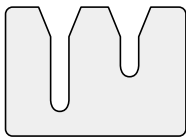
Remarque importante

- Ne placez pas de disquettes ou de cartes magnétiques à proximité du support du cadre cylindrique. Le support du cadre cylindrique est équipé d'aimants extrêmement puissants qui peuvent endommager les supports magnétiques.
- Avant d'installer le support du cadre cylindrique, vérifiez la version de votre machine en contrôlant la forme de l'encoche de la plaque de connexion sur le chariot.

Séparée en deux (avant la mise à niveau)



Séparée en trois (après la mise à niveau)



- Si l'encoche n'est pas séparée en trois, vous possédez l'ancienne version de la machine à broder. Achetez le kit de mise à niveau (vendu séparément) et mettez à niveau la machine à broder. Pour plus d'informations, contactez un revendeur agréé.
- Avant d'installer le cadre cylindrique, veillez à régler le support. Si vous utilisez toujours la même machine, vous ne devez effectuer ce réglage que lors de la première utilisation. Pour plus de détails, reportez-vous à la section « Réglage du support du cadre cylindrique (uniquement lors de la première utilisation) » à la page 23.
- Une fois le support du cadre cylindrique ajusté, vous devez de nouveau effectuer ce réglage si vous utilisez une autre machine. Réglez le support de chaque machine que vous utilisez. Pour plus d'informations, contactez un revendeur agréé.

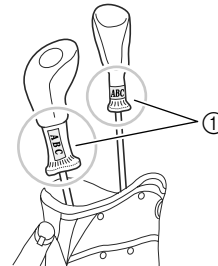
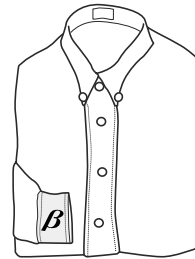
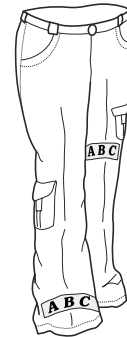
⚠ Mémo

- Lorsque le cadre cylindrique est fixé, l'indicateur de cadres de broderie suivant (affichant les cadres de broderie pouvant être utilisés) apparaît.



Le cadre cylindrique vous permet de broder des motifs sur des sacs et des pièces cylindriques. Les procédures d'utilisation du cadre cylindrique sont décrites ci-dessous.

Echantillons de broderie avec le cadre cylindrique



① Seule cette zone peut être brodée.

⚠ Mémo

- Il existe différentes conditions de taille et de tissu pour la broderie. Pour plus d'informations sur ces conditions, reportez-vous à la page 20 et 21.
- Lorsque vous brodez des capuchons pour club de golf, vérifiez que le tissu est élastique et que sa taille correspond au cadre cylindrique. En outre, vous ne pouvez broder que des motifs à un point dans la zone illustrée.

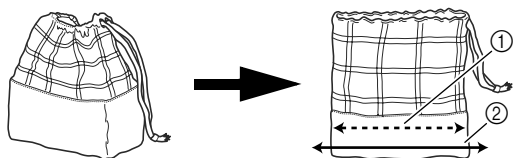
Diamètre et profondeur des sacs et pièces cylindriques à broder

Les pièces brodées avec le cadre cylindrique doivent avoir le diamètre et la profondeur indiqués ci-dessous.

Le diamètre correspond à la largeur du sac ou de la pièce cylindrique et la profondeur à la hauteur du sac ou de la pièce cylindrique.

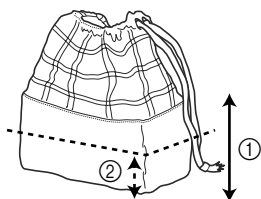
■ Sacs (bourses ou étuis)

- Diamètre



- ① 155 mm (6 1/8 pouces)
- ② Largeur de 155 mm (6 1/8 pouces) ou plus (plié).

- Profondeur

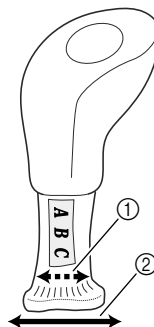


- ① Hauteur de 70 mm (2 3/4 pouces) ou plus à partir du fond.
- ② 70 mm (2 3/4 pouces)

Mémo

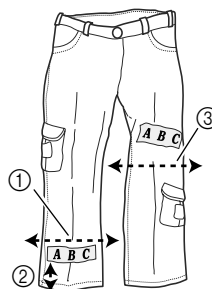
- La position de la broderie varie en fonction de la largeur du sac.
 - Avec une largeur de 155 mm (6 1/8 pouces) ou moins : vous pouvez coudre la broderie à une hauteur de 70 mm (2 3/4 pouces) minimum à partir du fond.
 - Avec une largeur de 155 mm (6 1/8 pouces) ou plus : la hauteur de la position de broderie dépend de la largeur du sac.

■ Côtes en tricot sur manchettes (capuchons pour club de golf)



- ① 155 mm (6 1/8 pouces)
- ② Largeur de 155 mm (6 1/8 pouces) ou plus (plié).

■ Pièces cylindriques (jambes de pantalon ou chemises)



- ① 155 mm (6 1/8 pouces) ou plus
- ② 22 mm (7/8 pouces) ou plus
- ③ 175 mm (6 7/8 pouces) ou plus

- Diamètre : largeur de 155 mm (6 1/8 pouces) ou plus (plié).
- Profondeur : 22 mm (7/8 pouces) ou plus à partir de l'ourlet.

Mémo

- Lorsque vous brodez à une position supérieure à 130 mm (5 1/8 pouces) du bord du pantalon (aux genoux), la largeur doit être de 175 mm (6 7/8 pouces) ou plus (plié).

Tissus

Pour des résultats optimaux, il est recommandé d'utiliser les types de tissus suivants.

- 100 % coton
- 35 % coton/65 % polyester
- 80 % laine/20 % nylon
- 15 % laine/85 % acrylique

L'utilisation de tissus difficiles à placer, se froissant ou rétrécissant facilement n'est pas recommandée avec le cadre cylindrique. Exemples :

- Mousse de polyester
- Tissus élastiques
- Laine Melton
- 100 % nylon
- Daim



Remarque

- Les motifs qui se décalent facilement ne doivent pas être brodés avec le cadre cylindrique.
- N'utilisez que des lettres ou des motifs à un point sur les tissus en tricot côtelé.

Préparation du cadre cylindrique

■ Installation du support du cadre cylindrique

Retirez le support du cadre de broderie du chariot et installez le support du cadre cylindrique.

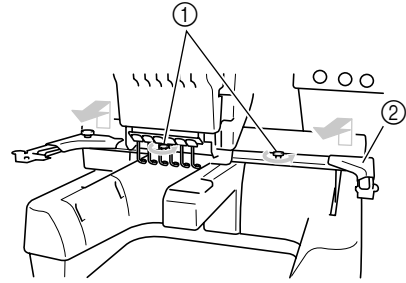


Mémo

- Avant d'enlever le support du cadre de broderie, retirez tout d'abord le cadre. Pour plus d'informations sur la procédure de retrait, reportez-vous à la section « Retrait du cadre de broderie » du manuel d'instructions.

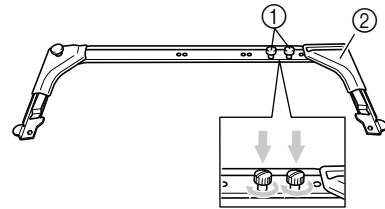
1

Desserrez et retirez les deux vis à serrage à main, puis retirez le cadre de support de broderie.



- ① Vis à serrage à main
- ② Support du cadre de broderie

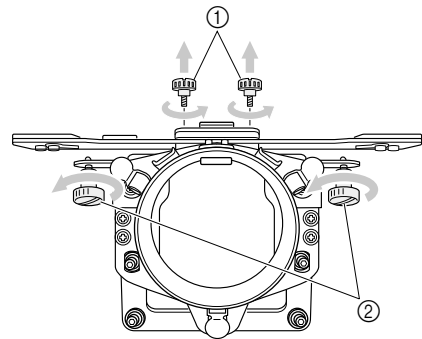
• Les vis retirées restent fixées au support du cadre de broderie.



- ① Laissez les deux vis sur le support pour éviter de les perdre.
- ② Support du cadre de broderie

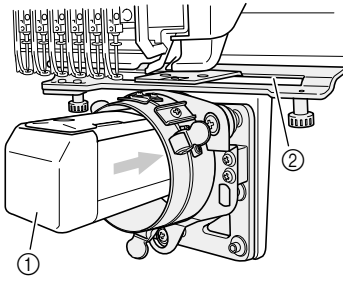
2

Retirez les deux vis à serrage à main supérieures du support du cadre cylindrique, puis desserrez les deux vis inférieures.



- ① Vis à serrage à main supérieures (petites)
- ② Vis à serrage à main inférieures (grandes)

- 3** Faites passer le plateau de la machine dans le cercle du support du cadre cylindrique.



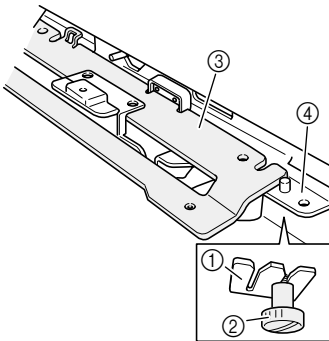
- ① Plateau de la machine
② Trou sur la plaque d'assemblage



Remarque

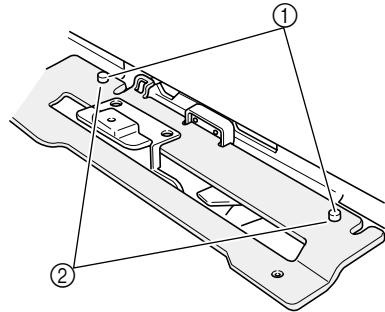
- Vérifiez que le support du cadre cylindrique ne touche pas de pièces environnantes, comme le pied presseur ou le trou sur la plaque d'assemblage.

- 4** Insérez les deux vis à serrage à main en bas du support du cadre cylindrique dans les encoches situées sur le chariot, puis placez la plaque d'assemblage du support du cadre cylindrique sur la partie supérieure du chariot X.



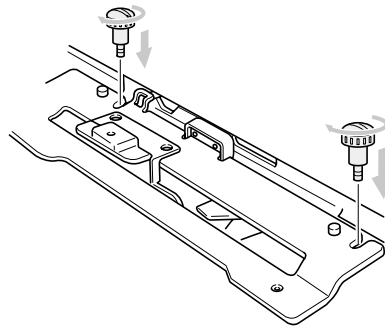
- ① Encoche du chariot
② Vis à serrage à main du support du cadre cylindrique
③ Plaque d'assemblage du support du cadre cylindrique
④ Chariot X

- 5** Insérez les ergots du chariot X dans les trous situés sur la plaque d'assemblage du support du cadre cylindrique.

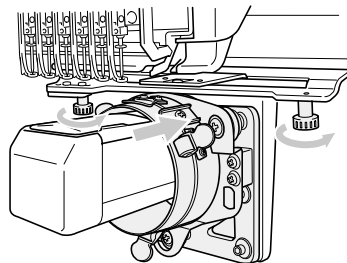


- ① Ergots du chariot X
② Trous situés sur la plaque d'assemblage du support du cadre cylindrique

- 6** Serrez les deux vis à serrage à main retirées à l'étape 2.



- 7** Tout en poussant le support du cadre cylindrique pour l'insérer complètement, serrez les deux vis inférieures pour fixer le support.



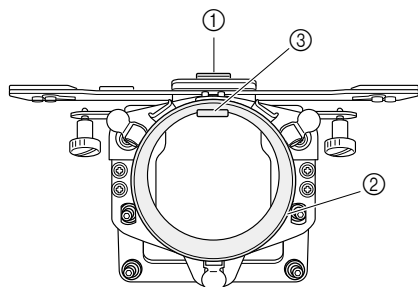
- L'installation du support du cadre cylindrique est terminée.



Mémo

- Serrez fermement les vis à l'aide du tournevis en forme de disque fourni avec la machine à broder.

■ Réglage du support du cadre cylindrique (uniquement lors de la première utilisation)



- ① Support d'assemblage en L
- ② Cercle
- ③ Raccord du cercle



Remarque

- Réglez le support du cadre cylindrique uniquement lors de la première utilisation. Si vous utilisez la même machine, ce réglage n'est plus nécessaire pour les utilisations ultérieures. Toutefois, si vous utilisez le support du cadre cylindrique avec une autre machine et modifiez les paramètres, vous devez recommencer le réglage.

1

Mettez l'interrupteur d'alimentation principal sur « I » pour mettre la machine sous tension. Lorsque le chariot se replace dans sa position initiale, mettez la machine hors tension.

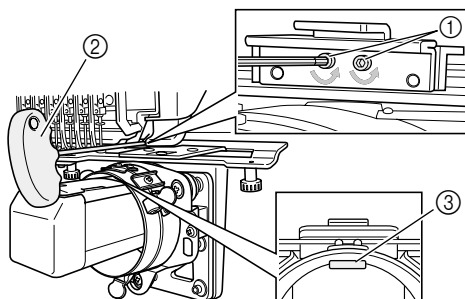


Mémo

- Veillez à régler le support du cadre cylindrique dans sa position initiale. Pour plus d'informations sur la position initiale, reportez-vous au manuel d'instructions.

2

A l'aide de la clé Allen (2,5 mm) fournie, dévissez les deux vis hexagonales d'un tour dans le sens de la flèche. Lorsque les vis hexagonales sont desserrées, le raccord du cercle s'abaisse.



- ① Vis hexagonales
- ② Clé Allen (2,5 mm) fournie
- ③ Raccord du cercle

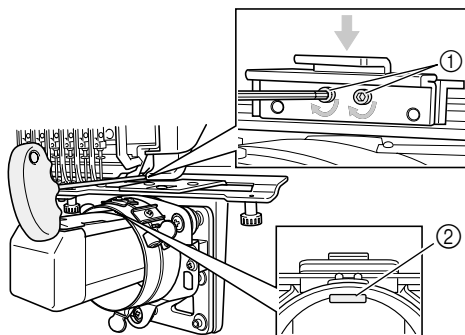


Remarque

- Ne retirez pas les vis hexagonales.

3

Tout en appuyant légèrement avec le doigt sur le support d'assemblage en L afin qu'il touche la surface supérieure du plateau de la machine, utilisez la clé Allen (2,5 mm) pour serrer fermement les deux vis hexagonales.



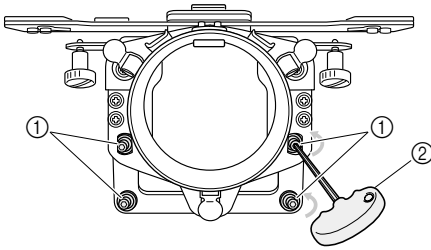
- ① Support d'assemblage en L
- ② Raccord du cercle



Mémo

- Serrez fermement les vis hexagonales afin que le raccord du cercle touche la surface du plateau de la machine.

- 4** A l'aide de la clé Allen (3 mm) fournie, dévissez les quatre vis hexagonales à l'extérieur du cercle d'un tour dans le sens de la flèche.



- ① Vis hexagonales
② Clé Allen (3 mm) fournie

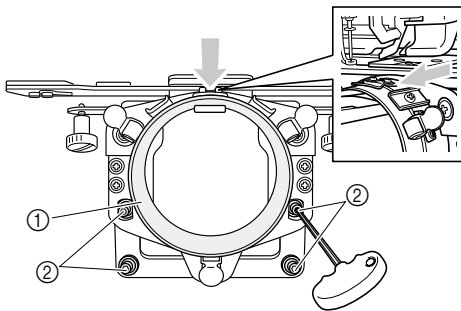
- ▶ Lorsque les vis hexagonales sont desserrées, vous pouvez abaisser le cercle.



Mémo

- Ne retirez pas les vis hexagonales.

- 5** Tout en appuyant légèrement sur le cercle afin que l'espace entre le cercle et le plateau soit identique à gauche et à droite, utilisez le tournevis Allen (3 mm) pour serrer uniformément les vis hexagonales opposées à l'extérieur du cercle, puis serrez les deux autres vis hexagonales. Serrez fermement les quatre vis.



- ① Cercle
② Vis hexagonales

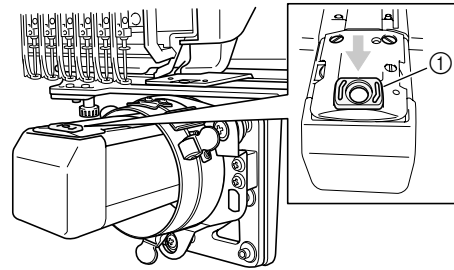


Remarque

- Si les vis ne sont pas fermement serrées, le support du cadre cylindrique risque de s'endommager.
- Pour éviter d'endommager la machine ou le tissu, vérifiez qu'aucun excédent de tissu ne tombe dans le trou.

- **Installation de la cale d'épaisseur de la plaque à aiguille**

Fixez la cale d'épaisseur (fournie avec la machine) sur la plaque à aiguille.

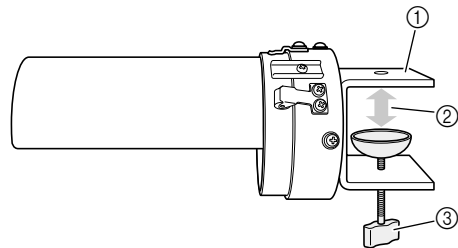


- ① Cale d'épaisseur de la plaque à aiguille

- **Préparation du dispositif d'assemblage du cadre cylindrique**

Fixez le dispositif d'assemblage du cadre cylindrique sur une surface de niveau et stable, par exemple, un bureau.

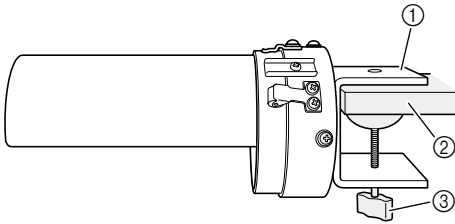
- 1** Desserrez la vis à serrage à main du dispositif d'assemblage pour augmenter l'espace du support d'assemblage afin qu'il soit plus large que l'épaisseur de la surface d'assemblage.



- ① Support d'assemblage
② Ouvrez à la largeur souhaitée.
③ Vis à serrage à main

- Le support d'assemblage peut être fixé sur une surface de 9 à 38 mm (11/32 à 1 1/2 pouces) d'épaisseur.

- 2** Fixez solidement le support d'assemblage sur la surface, puis serrez la vis à serrage à main.



- ① Support d'assemblage
② Surface d'assemblage (table, bureau, etc.)
③ Serrez la vis à serrage à main.

- 3** Vérifiez que le dispositif d'assemblage est correctement fixé.

S'il n'est pas correctement fixé à la surface d'assemblage, réinstallez-le et serrez la vis à serrage à main.



Remarque

- Vérifiez que le support d'assemblage est solidement fixé sur la surface d'assemblage et que la vis à serrage à main est serrée fermement.
- Ne fixez pas le dispositif d'assemblage sur une surface instable (flexible, tordue ou courbée).
- Veillez à ne pas faire tomber le dispositif d'assemblage du cadre cylindrique lorsque vous le retirez.

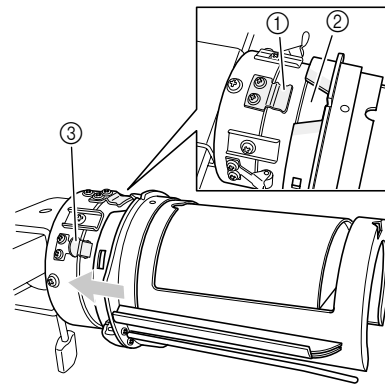
Installation du cadre cylindrique

Placez le tissu dans le cadre cylindrique et fixez ce dernier au support.

- Mise en place du tissu dans le cadre cylindrique

- 1** Fixez le cadre cylindrique sur le dispositif d'assemblage.

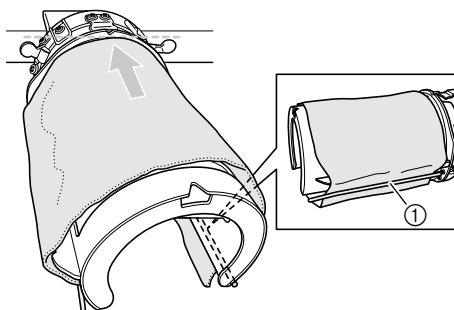
Alignez l'encoche du cadre cylindrique sur la plaque de guidage du dispositif d'assemblage. Maintenez le cadre horizontalement avec le dispositif d'assemblage et appuyez sur le cadre jusqu'à ce qu'il se mette en place.



- ① Plaque de guidage du dispositif d'assemblage du cadre cylindrique
② Encoche du cadre cylindrique
③ Support du dispositif d'assemblage

- Les deux supports permettent de fixer le cadre cylindrique.

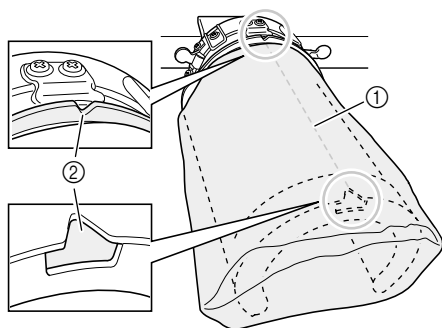
- 2** Placez le matériau stabilisateur sur le support correspondant sur le cadre cylindrique.



① Support pour matériau stabilisateur

- Un support pour matériau stabilisateur est situé à gauche et à droite. D'un côté, insérez l'extrémité du matériau stabilisateur entre le support et le cadre cylindrique. Enroulez la partie supérieure du cadre cylindrique et étendez le matériau stabilisateur jusqu'au support de l'autre côté. Ajustez le matériau stabilisateur et fixez-le.
- Fixez le matériau stabilisateur de manière à ne pas dépasser la ligne en pointillé dans le sens de la flèche comme illustré ci-dessous.
- Selon le type de tissu, il peut s'avérer nécessaire d'utiliser deux ou trois couches de matériau stabilisateur pour obtenir une broderie de qualité.
- Il est recommandé d'utiliser du matériau stabilisateur de 30 mm x 250 mm (5" x 7"). Si le matériau stabilisateur est trop grand, vous aurez quelques difficultés à mettre le tissu en place.

- 3** Alignez le centre du motif sur l'encoche du dispositif d'assemblage du cadre cylindrique.



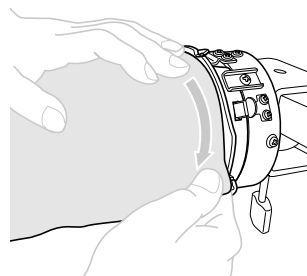
- ① Centre du motif
② Encoche du dispositif d'assemblage du cadre cylindrique



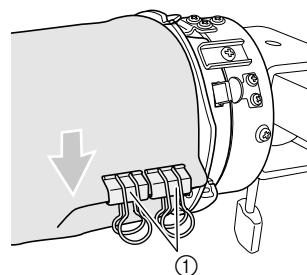
Mémo

- Avant de placer le tissu et le matériau stabilisateur dans le cadre, marquez le centre du motif à l'aide d'un crayon-craie.

- 4** Tirez les extrémités du tissu à partir du centre de manière à bien le tendre. Veillez à ne pas décaler le centre du motif.



- 5** Utilisez les attaches pour fixer le tissu et le matériau stabilisateur.



① Attaches

- Répétez les étapes 4 et 5 de l'autre côté pour bien tendre le tissu et fixez-le avec les attaches.

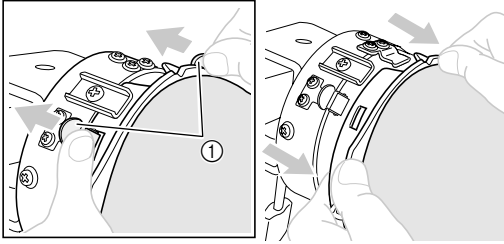


Remarque

- Lorsque vous fixez le tissu avec les attaches, les poignées (anneaux) doivent être orientées vers le bas.

6 Retirez le cadre cylindrique du dispositif d'assemblage.

Appuyez sur les deux supports du dispositif d'assemblage avec les deux pouces et retirez le cadre cylindrique dans le sens de la flèche comme illustré.



① Supports du dispositif d'assemblage



Remarque

- Lorsque vous retirez le cadre cylindrique du dispositif d'assemblage, tirez soigneusement le cadre afin de ne pas décaler le tissu et le matériau stabilisateur.

■ Fixation du cadre cylindrique sur la machine



Mémo

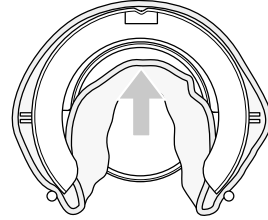
- Avant de fixer le cadre cylindrique sur la machine à broder, fixez le support du cadre cylindrique sur le chariot. Pour plus d'informations sur la procédure d'installation, reportez-vous à la section « Installation du support du cadre cylindrique » à la page 21.

1 Fixez le cadre cylindrique sur son support.



Remarque

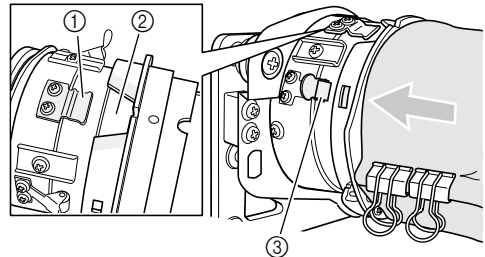
- Lorsque vous fixez le cadre cylindrique sur la machine,
 - Vérifiez que le cadre cylindrique ou le tissu ne touche pas le pied presseur, le trou sur la plaque d'assemblage ou d'autres pièces de la machine.
 - Vérifiez que le tissu ne glisse pas dans la cavité du cadre cylindrique.



2 Vous pouvez maintenant broder votre motif.

En orientant la surface de bordure vers le haut, alignez le cercle du support du cadre cylindrique sur celui du cadre cylindrique. Alignez l'encoche du cadre cylindrique sur la plaque de guidage du support, puis appuyez sur le cadre jusqu'à ce qu'il se mette en place.

Trois fixations de support permettent de fixer le cadre cylindrique.



- ① Plaque de guidage du support du cadre cylindrique
- ② Encoche du cadre cylindrique
- ③ Fixation du support



Remarque

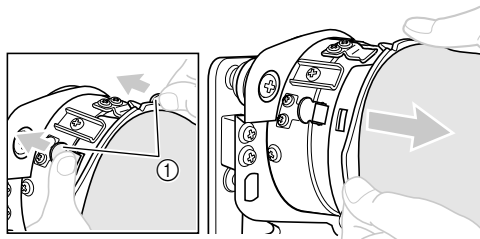
- Pour éviter d'endommager la machine ou le tissu, attachez le surplus de tissu à proximité des pièces mobiles, dans les petites zones du support du cadre cylindrique ou dans la zone de broderie.
- Lorsque vous brodez sur de grands vêtements, ne laissez pas pendre le tissu afin de ne pas déformer le motif de broderie.

■ Retrait du cadre cylindrique

Une fois la broderie terminée, retirez le cadre cylindrique et le tissu.

1 Retirez le cadre cylindrique de son support.

Appuyez sur les deux supports à la base du cadre cylindrique avec les deux pouces, puis retirez le cadre cylindrique de la machine comme illustré.



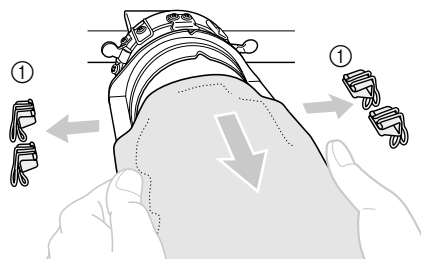
① Fixations du support



Remarque

- Lors du retrait du cadre cylindrique, veillez à ne pas toucher le pied presseur ou les pièces environnantes de la machine.

2 Retirez les attaches et tirez le tissu vers vous pour détacher le matériau stabilisateur de son support.

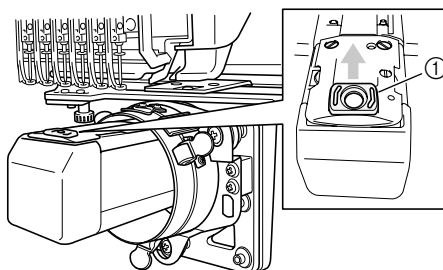


① Attaches

Installation du support du cadre de broderie

Après le retrait de la cale d'épaisseur de la plaque à aiguille et du support du cadre cylindrique, réinstallez le support du cadre de broderie.

1 Retirez la cale d'épaisseur de la plaque à aiguille.



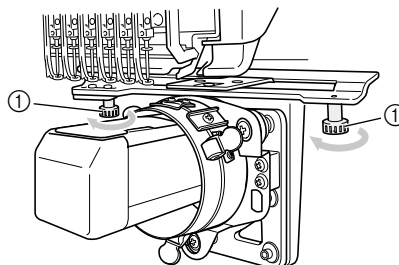
① Cale d'épaisseur de la plaque à aiguille



Remarque

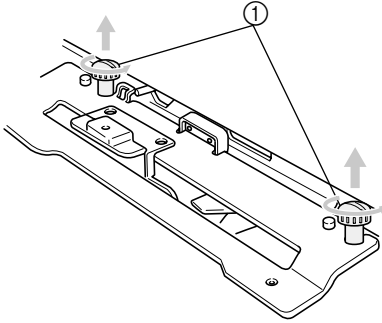
- Retirez la cale d'épaisseur de la plaque à aiguille par le dessus. Vous risquez de l'endommager si vous la tirez vers vous avec force.

2 Desserrez les deux vis à serrage à main inférieures.



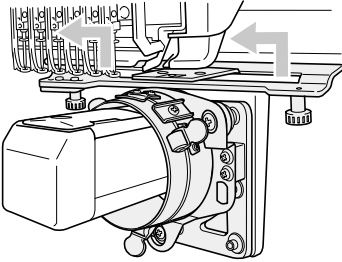
① Vis à serrage à main

- 3** Retirez les deux vis à serrage à main supérieures.



① Vis à serrage à main

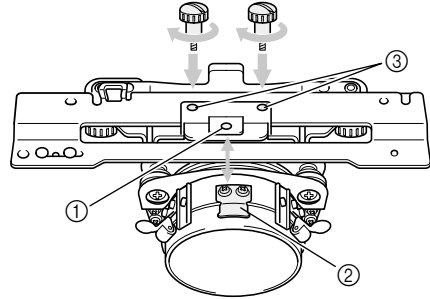
- 4** Retirez le support du cadre cylindrique.



Remarque

- Vérifiez que le support du cadre cylindrique ne touche pas de pièces environnantes, comme le pied presseur ou d'autres pièces de la machine.

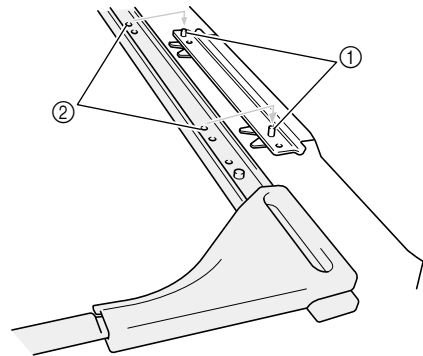
- 5** Alignez le trou situé sur le support d'assemblage en L du support du cadre cylindrique sur la ligne centrale de la plaque de guidage, insérez les deux vis à serrage à main retirées à l'étape ③ dans les trous sur le dessus et serrez-les.



- ① Trou sur le support d'assemblage en L
② Ligne centrale de la plaque de guidage
③ Trou sur le dessus

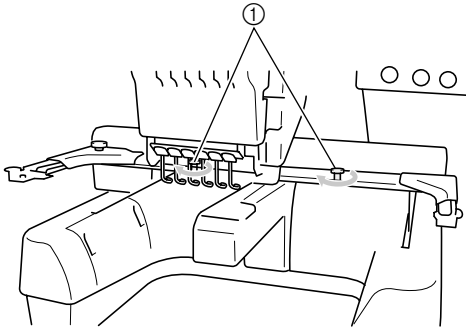
- Insérez les vis à serrage à main dans les trous dans lesquels le support du cadre cylindrique était initialement installé (trous dont les vis ont été retirées à l'étape ③).
- La section mobile du support du cadre cylindrique est fixée.

- 6** Alignez les trous situés sur le support du cadre de broderie sur les ergots du chariot X, puis fixez le support du cadre de broderie à l'aide des deux vis à serrage à main.



- ① Ergots du chariot X
② Trous du support du cadre de broderie

7 Fixez le support du cadre de broderie à l'aide des deux vis à serrage à main.



① Utilisez les vis à serrage à main fournies avec la machine à broder (vis retirées à l'étape ① à la page 21).



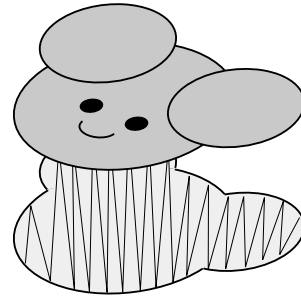
Mémo

- Serrez fermement les vis à l'aide du tournevis en forme de disque fourni avec la machine à broder.

Informations de numérisation complémentaires

Afin d'éviter que les motifs ne soient décalés en raison d'un tissu froissé ou tendu, respectez les précautions suivantes lors de la création de données de broderie pour le cadre cylindrique.

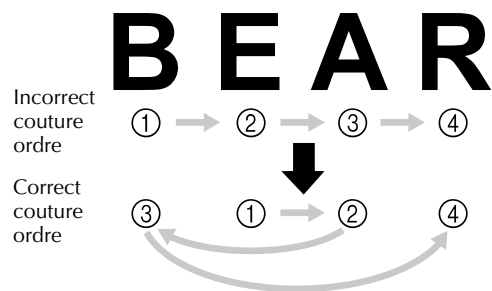
1 Cousez des points de sous-couche.



2 Spécifiez l'ordre et le sens de couture pour commencer au centre du motif de broderie et cousez vers la gauche et la droite.

Avec cette machine à broder, l'ordre de sélection des motifs lorsqu'ils sont combinés correspond à l'ordre dans lequel ils sont cousus.

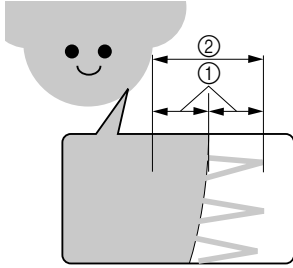
Pour l'exemple suivant, sélectionnez les motifs dans l'ordre « E » -> « A » -> « B » -> « R » pour réaliser le motif combiné « BEAR ».



Remarque

- Ne cousez pas le motif d'un bout à l'autre sinon il risque de se froisser ou de rétrécir.

- 3** Lorsque vous brodez les contours des motifs, assurez-vous que la largeur des points plumetis est d'au moins 3 mm et que les points recouvrent le tissu d'au moins 1,5 mm. Vérifiez également qu'il n'y a pas de sauts de longs points dans les contours de chaque zone ou lettre.

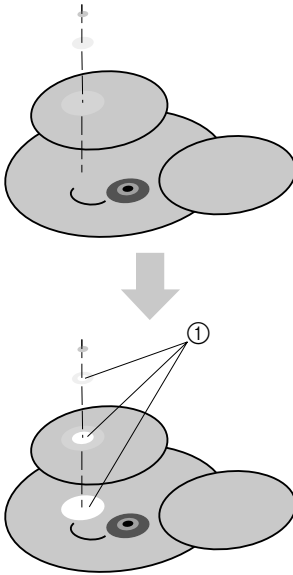


- ① 1,5 mm ou plus
② 3 mm ou plus



Remarque

- Ne cousez pas plus de quatre couches superposées.



- ① Créez les données de sorte que les zones superposées ne soient pas cousues.

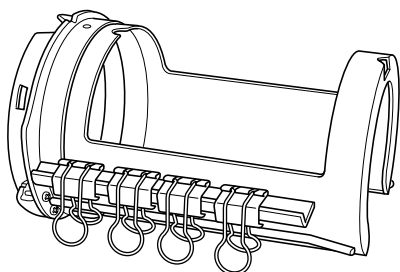
Guía del usuario del bastidor cilíndrico

ACCESORIOS INCLUIDOS	34
NOTA IMPORTANTE	35
MUESTRAS DE BORDADOS CON EL BASTIDOR CILÍNDRICO	35
DIÁMETRO Y PROFUNDIDAD DE LOS BOLSOS Y PIEZAS CILÍNDRICAS QUE SE PUEDEN BORDAR	36
Bolsos (bolsos de mano o de viaje)	36
Punto acanalado en puños (como en fundas para palos de golf)	36
Piezas cilíndricas (como perneras o mangas de camisa)	36
TEJIDOS	37
PREPARACIÓN PARA EL USO DEL BASTIDOR CILÍNDRICO	37
Colocación de la guía del bastidor cilíndrico	37
Ajuste de la guía del bastidor cilíndrico (sólo cuando se utiliza por primera vez)	39
Colocación del separador de la placa de la aguja	40
Preparación del dispositivo de montaje del bastidor cilíndrico	40
COLOCACIÓN DEL BASTIDOR CILÍNDRICO	41
Colocación del tejido en el bastidor cilíndrico	41
Colocación del bastidor cilíndrico en la máquina	43
Extracción del bastidor cilíndrico	44
COLOCACIÓN DEL SOPORTE DEL BASTIDOR DE BORDADO	44
INFORMACIÓN DIGITALIZADA ADICIONAL	46

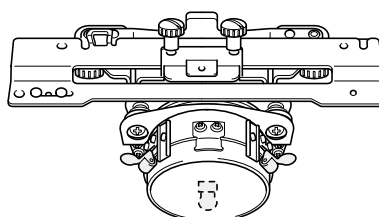
Accesorios incluidos

Compruebe que están incluidos el bastidor cilíndrico, la guía del bastidor cilíndrico, el dispositivo de montaje del bastidor cilíndrico y los accesorios siguientes. Si falta algún componente o alguno estuviera dañado, póngase en contacto con su distribuidor autorizado.

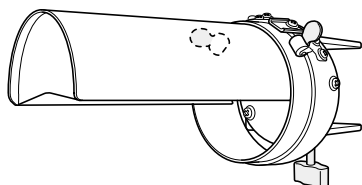
①



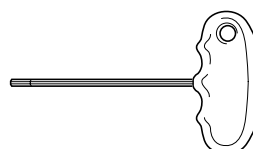
②



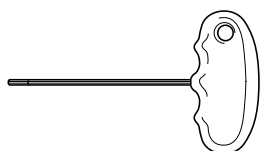
③



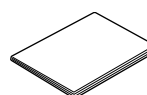
④



⑤



⑥

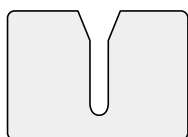


Nº	Nombre de la pieza
①	Bastidor cilíndrico con 8 pinzas (Zona de bordado (90 mm (anchura) × 80 mm (altura)))
②	Guía del bastidor cilíndrico y cuatro tornillos de mariposa (Coloque la guía del bastidor cilíndrico en el carro para poder utilizar este bastidor.)
③	Dispositivo de montaje del bastidor cilíndrico (Utilícelo al colocar el tejido en el bastidor cilíndrico.)
④	Llave Allen (3 mm)
⑤	Llave Allen (2,5 mm)
⑥	Guía del usuario

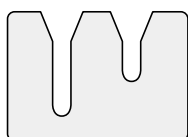
Nota importante

- No coloque disquetes ni tarjetas magnéticas cerca de la guía del bastidor cilíndrico. Esta guía está equipada con imanes muy potentes, que podrían afectar a soportes magnéticos.
- Antes de colocar la guía del bastidor cilíndrico, compruebe la versión de la máquina; para ello, compruebe la forma de la muesca en la placa de conexión colocada en el carro.

Dividida en dos (antes de actualizar)



Dividida en tres (después de actualizar)



- Si la muesca no está dividida en tres, la máquina de bordar es la versión antigua. Adquiera el kit de actualización (se vende por separado) y actualice la máquina de bordar. Si desea obtener más información, póngase en contacto con su distribuidor autorizado.
- Antes de colocar el bastidor cilíndrico, asegúrese de ajustar la guía del bastidor. Si está utilizando la misma máquina, sólo se necesita este ajuste la primera vez que la utiliza. Si desea obtener más información, consulte "Ajuste de la guía del bastidor cilíndrico (sólo cuando se utiliza por primera vez)" en la página 39.
- Una vez ajustada la guía del bastidor, si se utiliza una máquina diferente, deberá ajustarse de nuevo. Ajuste la guía para cada máquina que se utilice. Si desea obtener más información, póngase en contacto con su distribuidor autorizado.

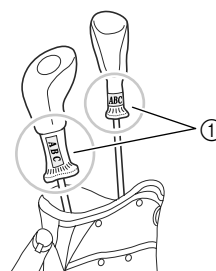
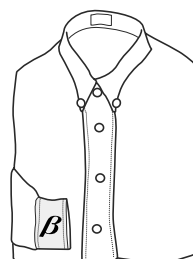
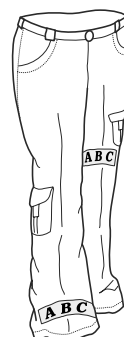
Recuerde

- Cuando se coloca el bastidor cilíndrico, aparece el siguiente indicador de bastidor de bordado (que muestra los bastidores que pueden utilizarse).



Con el bastidor cilíndrico, puede bordar diseños en bolsos y piezas cilíndricas. A continuación se describen los procedimientos para la utilización de este bastidor.

Muestras de bordados con el bastidor cilíndrico



① Sólo se puede bordar esta zona.

Recuerde

- Existen diversas condiciones relativas al tamaño y al tejido para el bordado. Si desea obtener más información sobre estas condiciones, consulte la página 36 - 37.
- Cuando borde fundas para palos de golf, compruebe que el tejido es elástico y que su tamaño se ajusta al bastidor cilíndrico. Además, sólo se pueden coser diseños de bordado de un punto en la zona que se indica en la ilustración.

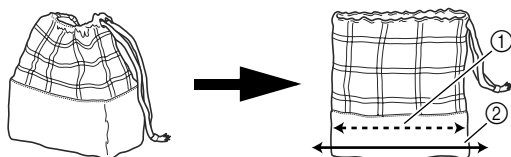
Diámetro y profundidad de los bolsos y piezas cilíndricas que se pueden bordar

Las piezas que se borden con el bastidor cilíndrico deben tener el diámetro y la profundidad que se muestran a continuación.

El diámetro hace referencia a la anchura del bolso o la pieza cilíndrica, mientras que la profundidad se refiere a su altura.

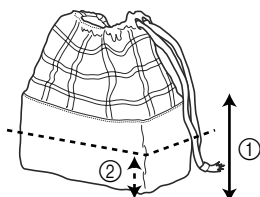
■ Bolsos (bolsos de mano o de viaje)

• Diámetro



- ① 155 mm (6 1/8 pulg.)
- ② Deben tener una anchura de 155 mm (6 1/8 pulg.) o más (doblados).

• Profundidad

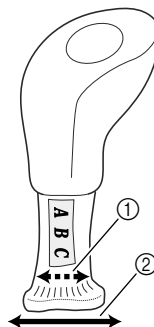


- ① Deben tener una altura de 70 mm (2 3/4 pulg.) o más desde la parte inferior.
- ② 70 mm (2 3/4 pulg.)

Recuerde

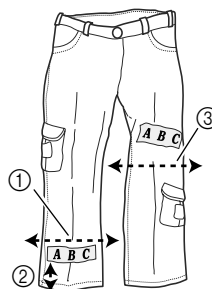
- La posición de bordado en los bolsos varía según la anchura que tengan.
 - Con una anchura de 155 mm (6 1/8 pulg.) o menos: se puede bordar a una altura de 70 mm (2 3/4 pulg.) o más desde la parte inferior.
 - Con una anchura de 155 mm (6 1/8 pulg.) o más: la altura de la posición de bordado depende de la anchura del bolso.

■ Punto acanalado en puños (como en fundas para palos de golf)



- ① 155 mm (6 1/8 pulg.)
- ② Deben tener una anchura de 155 mm (6 1/8 pulg.) o más (doblados).

■ Piezas cilíndricas (como perneras o mangas de camisa)



- ① 155 mm (6 1/8 pulg.) o más
- ② 22 mm (7/8 pulg.) o más
- ③ 175 mm (6 7/8 pulg.) o más

- Diámetro: deben tener una anchura de 155 mm (6 1/8 pulg.) o más (dobladas).
- Profundidad: deben tener 22 mm (7/8 pulg.) o más desde el dobladillo.

Recuerde

- Al bordar en una posición a más de 130 mm (5 1/8 pulg.) del dobladillo del pantalón (por ejemplo, en la rodilla), la anchura debe ser de 175 mm (6 7/8 pulg.) o más al doblarlo.

Tejidos

Para obtener los mejores resultados, se recomienda utilizar los siguientes tipos de tejidos:

- 100% algodón
- 35% algodón / 65% poliéster
- 80% lana / 20% nylon
- 15% lana / 85% acrílico

Se recomienda no utilizar tejidos difíciles de colocar, que se arruguen o encojan fácilmente con el bastidor cilíndrico. Tejidos como:

- Espuma de poliéster
- Tejidos elásticos
- Lana Meltón
- 100% nylon
- Ante



Nota

- No se deben bordar con este bastidor cilíndrico diseños que pierdan la alineación fácilmente.
- Utilice sólo diseños de bordado de un punto o letras en tejidos de punto acanalado.

Preparación para el uso del bastidor cilíndrico

■ Colocación de la guía del bastidor cilíndrico

Retire el soporte del bastidor del carro y, a continuación, coloque la guía del bastidor.

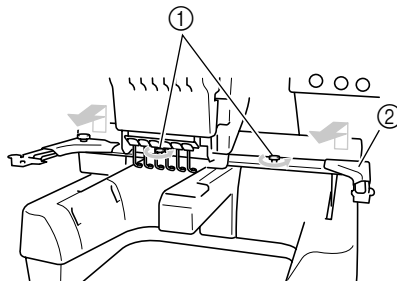


Recuerde

- Antes de quitar el soporte del bastidor, retire el bastidor. Si desea obtener más información sobre el procedimiento de extracción, consulte "Extracción del bastidor de bordado" en el Manual de instrucciones.

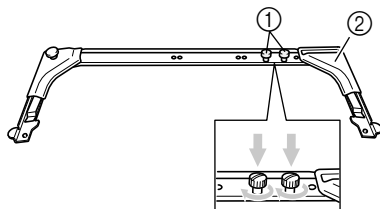
1

Afloje y extraiga los dos tornillos de mariposa y, a continuación, retire el soporte del bastidor.



- ① Tornillos de mariposa
- ② Soporte del bastidor de bordado

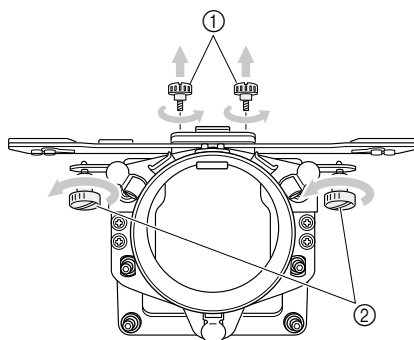
• Estos tornillos se quedarán colocados en el soporte del bastidor.



- ① Deje los dos tornillos de mariposa colocados para que no se pierdan.
- ② Soporte del bastidor de bordado

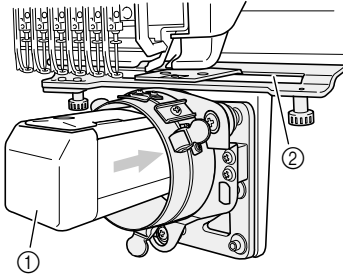
2

Retire los dos tornillos de mariposa superiores de la guía del bastidor y, a continuación, afloje los dos tornillos de mariposa inferiores.



- ① Tornillos de mariposa superiores (más pequeños)
- ② Tornillos de mariposa inferiores (más grandes)

- 3** Pase la plataforma de la máquina por el aro de la guía del bastidor.



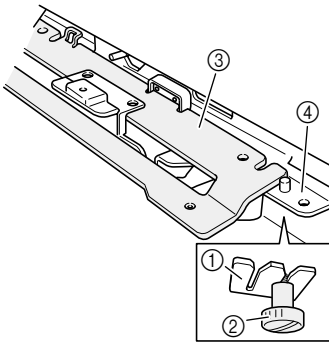
- ① Plataforma de la máquina
② Hueco en la placa de montaje



Nota

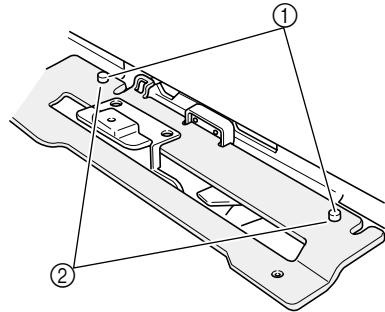
- Asegúrese de que la guía del bastidor no golpea ninguna otra pieza cercana, por ejemplo, el pie prensatela o el hueco en la placa de montaje.

- 4** Coloque los dos tornillos de mariposa de la parte inferior de la guía del bastidor en las muescas del carro y, a continuación, coloque la placa de montaje de la guía del bastidor en la parte superior del carro X.



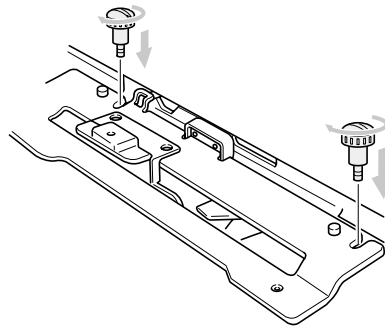
- ① Muesca en el carro
② Tornillo de mariposa de la guía del bastidor
③ Placa de montaje de la guía del bastidor
④ Carro X

- 5** Inserte las patillas del carro X en los orificios de la placa de montaje de la guía del bastidor.

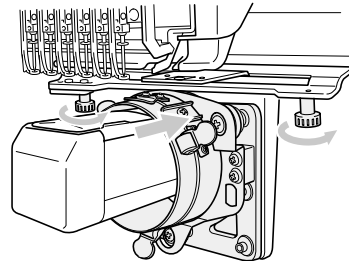


- ① Patillas del carro X
② Orificios de la placa de montaje de la guía del bastidor

- 6** Apriete los dos tornillos de mariposa quitados en el paso 2.



- 7** Mientras presiona con fuerza sobre la guía del bastidor para insertarla completamente, apriete los dos tornillos de mariposa inferiores para sujetarla bien.



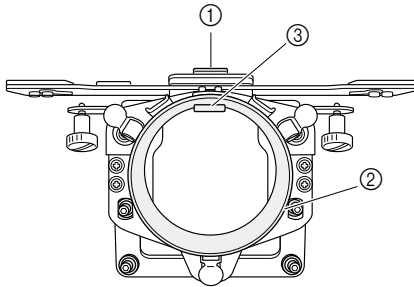
- Con esto finaliza la colocación de la guía del bastidor.



Recuerde

- Utilizando el destornillador en forma de disco que se suministra con la máquina de bordar, apriete bien los tornillos de mariposa.

■ **Ajuste de la guía del bastidor cilíndrico (sólo cuando se utiliza por primera vez)**



- ① Abrazadera de montaje en forma de L
- ② Aro
- ③ Ajuste en el aro



Nota

- Ajuste la guía del bastidor cilíndrico sólo cuando vaya a utilizarla por primera vez. Si se va a utilizar la misma máquina, este ajuste no es necesario para los usos posteriores. Sin embargo, si se utiliza la guía del bastidor con otra máquina y los ajustes son distintos, es necesario realizar de nuevo el ajuste.

1

Coloque el interruptor principal en la posición "I" para encender la máquina. Una vez que el carro cambia a la posición inicial, apague la máquina.

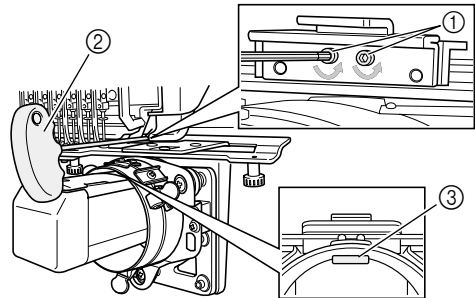


Recuerde

- Asegúrese de ajustar la guía del bastidor en la posición inicial. Si desea obtener más información sobre la posición inicial, consulte el Manual de instrucciones.

2

Con la llave Allen (2,5 mm) suministrada, gire los dos tornillos hexagonales una vuelta en la dirección de la flecha para aflojarlos. Cuando los tornillos hexagonales están flojos, se baja el ajuste en el aro.



- ① Tornillos hexagonales
- ② Llave Allen suministrada (2,5 mm)
- ③ Ajuste en el aro

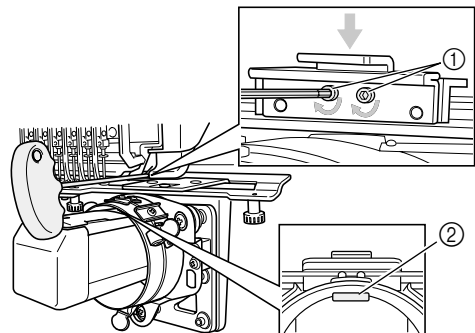


Nota

- No quite los tornillos hexagonales.

3

Mientras presiona ligeramente con el dedo sobre la abrazadera de montaje en forma de L hasta que toque la superficie de la plataforma de la máquina, utilice la llave Allen (2,5 mm) para apretar bien los dos tornillos hexagonales.



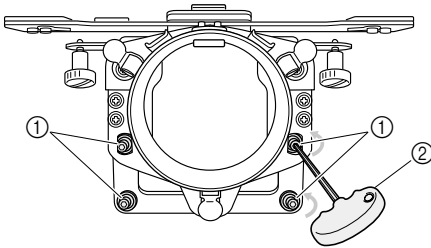
- ① Abrazadera de montaje en forma de L
- ② Ajuste en el aro



Recuerde

- Apriete bien los tornillos hexagonales de manera que el ajuste en el aro toque la superficie de la plataforma de la máquina.

- 4** Con la llave Allen (3 mm) suministrada, gire los cuatro tornillos hexagonales situados por fuera del aro una vuelta en la dirección de la flecha para aflojarlos.



- ① Tornillos hexagonales
② Llave Allen suministrada (3 mm)

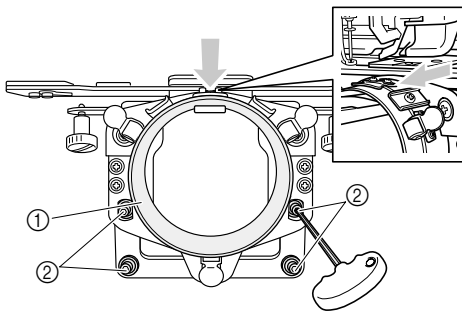
- ▶ Cuando los tornillos hexagonales están flojos, se puede bajar el aro.



Recuerde

- No quite los tornillos hexagonales.

- 5** Mientras presiona ligeramente sobre el aro de manera que el espacio entre el aro y la plataforma sea igual a la izquierda y la derecha, utilice la llave Allen (3 mm) para apretar por igual los tornillos hexagonales opuestos situados por fuera del aro y, después, apriete los otros dos tornillos hexagonales. Apriete bien los cuatro tornillos.



- ① Aro
② Tornillos hexagonales

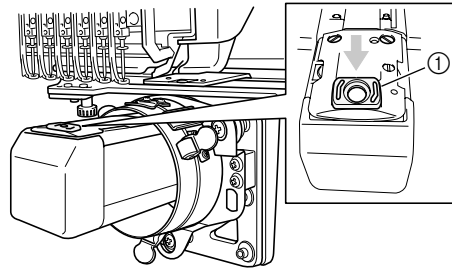


Nota

- Si no se aprietan bien los tornillos, la guía del bastidor podría dañarse.
- Para evitar que la máquina o el tejido sufran daños, asegúrese de no introducir material sobrante en el hueco.

■ Colocación del separador de la placa de la aguja

Coloque el separador (suministrado con la máquina) en la placa de la aguja.

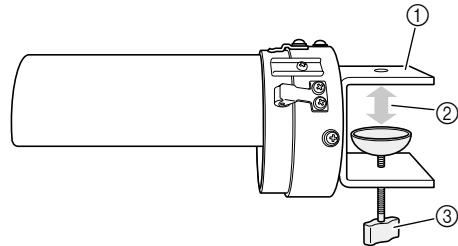


- ① Separador de la placa de la aguja

■ Preparación del dispositivo de montaje del bastidor cilíndrico

Coloque el dispositivo de montaje del bastidor en una superficie estable y nivelada, por ejemplo, una mesa.

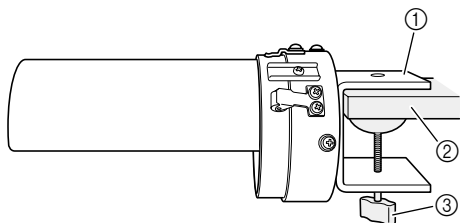
- 1** Afloje el tornillo de mariposa del dispositivo de montaje para aumentar el espacio en la abrazadera de montaje de manera que quede más ancha que el grosor de la superficie de montaje.



- ① Abrazadera de montaje
② Abra hasta la anchura deseada.
③ Tornillo de mariposa

- La abrazadera de montaje puede colocarse en una superficie con un grosor de 9 a 38 mm (11/32 a 1 1/2 pulg.).

- 2** Sujete con firmeza la abrazadera de montaje en la superficie y apriete el tornillo de mariposa.



- ① Abrazadera de montaje
- ② Superficie de montaje (mesa de trabajo, etc.)
- ③ Apriete el tornillo de mariposa.

- 3** Compruebe que el dispositivo de montaje está bien sujeto.

Si el dispositivo de montaje no está bien sujeto a la superficie de montaje, vuelva a colocarlo y apriete el tornillo de mariposa.



Nota

- Asegúrese de que la abrazadera de montaje está firmemente colocada en la superficie de montaje y que el tornillo de mariposa está bien apretado.
- No coloque el dispositivo de montaje en una superficie inestable (flexible, doblada o deformada).
- Asegúrese de que el dispositivo de montaje del bastidor no se caiga mientras lo está quitando.

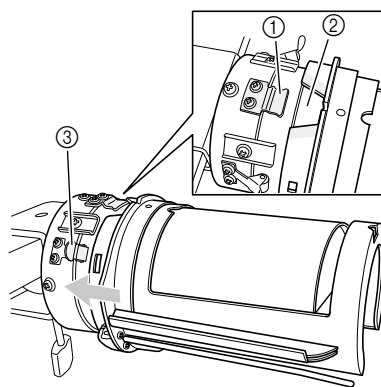
Colocación del bastidor cilíndrico

Coloque el tejido en el bastidor cilíndrico y, a continuación, coloque el bastidor en la guía del bastidor.

■ Colocación del tejido en el bastidor cilíndrico

- 1** Coloque el bastidor en el dispositivo de montaje del bastidor.

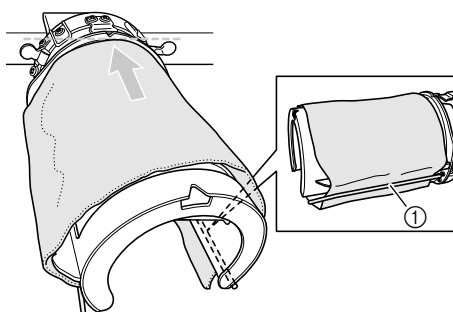
Alinee la muesca del bastidor con la placa de referencia en el dispositivo de montaje del bastidor. Mantenga el bastidor horizontal respecto al dispositivo de montaje y empujelo hasta que quede bien encajado.



- ① Placa de referencia en el dispositivo de montaje del bastidor
- ② Muesca del bastidor
- ③ Soporte del dispositivo de montaje

► El bastidor cilíndrico está sujeto por dos soportes.

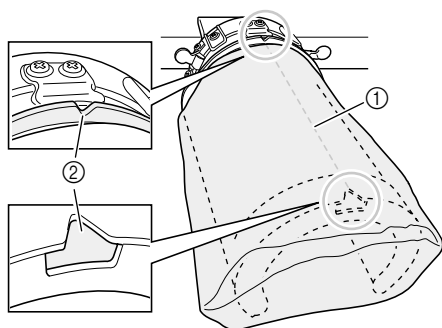
2 Coloque el estabilizador en el soporte correspondiente en el bastidor.



① Soporte del estabilizador

- Hay un soporte del estabilizador a la izquierda y la derecha. En un lado, inserte el extremo del estabilizador entre el soporte del estabilizador y el bastidor. Envuelva la parte superior del bastidor y extienda el estabilizador hasta el soporte correspondiente en el lado contrario. Enderece y coloque bien el estabilizador.
- Fije el estabilizador de manera que no sobrepase la línea de puntos en la dirección de la flecha mostrada en la ilustración anterior.
- En función del tipo de tejido utilizado, puede que sea necesario usar dos o tres capas de estabilizador para poder bordar correctamente.
- Se recomienda utilizar estabilizador con un tamaño de 130 mm x 250 mm (5" x 7"). Si el estabilizador es demasiado grande, puede resultar difícil colocar el tejido.

3 Haga coincidir el centro de la posición del diseño con la muesca en el dispositivo de montaje del bastidor.

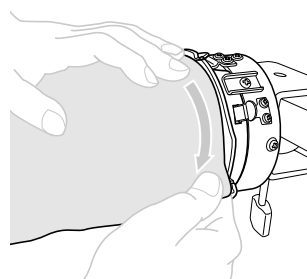


- ① Centro de la posición del diseño
- ② Muesca en el dispositivo de montaje del bastidor

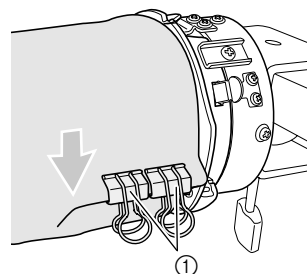
Recuerde

- Antes de colocar el tejido y el estabilizador en el bastidor, marque el centro de la posición del diseño con una tiza.

4 Tire de los extremos del tejido hacia fuera desde el centro para eliminar cualquier holgura. Tenga cuidado de no desplazar el centro de la posición del diseño.



5 Utilice las pinzas para sujetar el tejido y el estabilizador.



① Pinzas

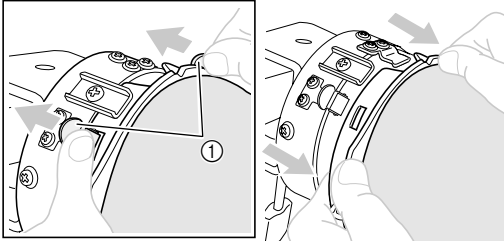
- Repita los pasos 4 y 5 en el otro lado para eliminar cualquier holgura del tejido y sujételo con las pinzas.

Nota

- Al sujetar el tejido con las pinzas, las asas (aros) deben apuntar hacia abajo.

6 Retire el bastidor del dispositivo de montaje.

Presione con ambas manos sobre los dos soportes del dispositivo de montaje y, a continuación, saque el bastidor en la dirección de la flecha mostrada en la ilustración.



① Soportes del dispositivo de montaje



Nota

- Al retirar el bastidor del dispositivo de montaje, sáquelo con cuidado para que el tejido y el estabilizador no pierdan la alineación.

■ Colocación del bastidor cilíndrico en la máquina



Recuerde

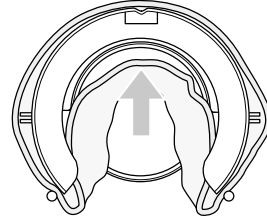
- Antes de colocar el bastidor en la máquina de bordar, coloque la guía del bastidor en el carro de la máquina. Si desea obtener más información sobre el procedimiento de colocación, consulte "Colocación de la guía del bastidor cilíndrico" en la página 37.

1 Coloque el bastidor en la guía del bastidor.



Nota

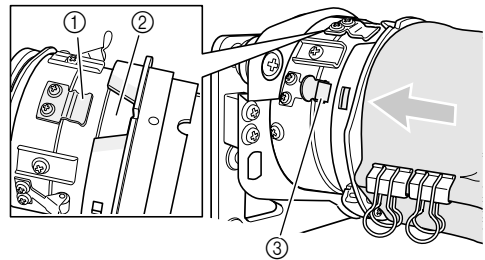
- Al colocar el bastidor cilíndrico en la máquina:
 - Asegúrese de que el bastidor o el tejido no golpean el pie prensatela, el hueco en la placa de montaje ni ninguna otra pieza de la máquina.
 - Compruebe que el tejido no quede ahuecado en la cavidad del bastidor.



2 Ahora borde el diseño.

Con la superficie de bordado hacia arriba, haga coincidir el aro de la guía del bastidor con el aro del bastidor. Alinee la muesca del bastidor con la placa de referencia en la guía y, a continuación, empuje el bastidor hasta que quede bien encajado.

Tres soportes de la guía sujetan el bastidor.



- ① Placa de referencia en la guía del bastidor
- ② Muesca del bastidor
- ③ Soporte de la guía



Nota

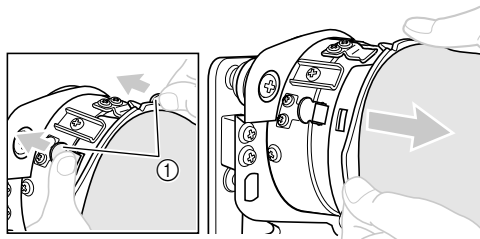
- Para evitar que se dañe la máquina o el tejido, sujete el tejido que sobre que esté próximo a piezas en movimiento, en pequeñas zonas de la guía del bastidor o dentro de la zona de bordado.
- Cuando cose prendas grandes, apoye el peso de la prenda para que no se distorsione el diseño de bordado.

■ Extracción del bastidor cilíndrico

Después de terminar de coser, quite el bastidor y, a continuación, el tejido.

1 Retire el bastidor de la guía del bastidor.

Presione con ambas manos los dos soportes en la base del bastidor y, a continuación, saque el bastidor de la máquina como se indica en la ilustración.



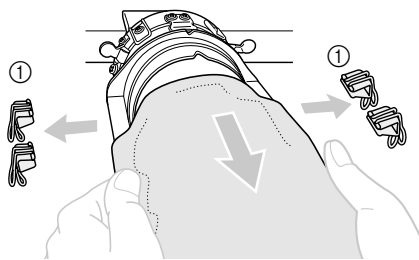
① Soportes de la guía



Nota

- Al extraer el bastidor, tenga cuidado de no golpear el pie prensatela ni ninguna otra pieza cercana de la máquina.

2 Quite las pinzas y, después, tire del tejido hacia usted para soltar el estabilizador del soporte correspondiente.

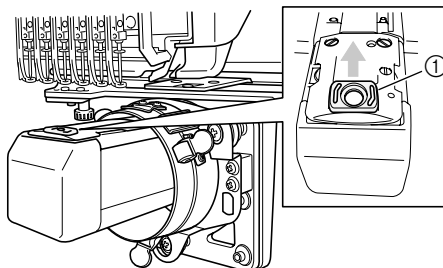


① Pinzas

Colocación del soporte del bastidor de bordado

Después de extraer el separador de la placa de la aguja y la guía del bastidor, vuelva a colocar el soporte del bastidor de bordado.

1 Retire el separador de la placa de la aguja.



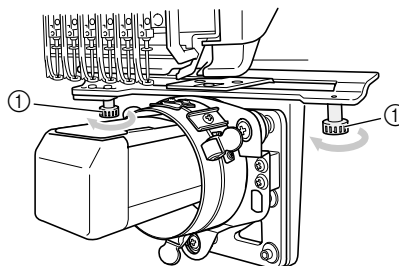
① Separador de la placa de la aguja



Nota

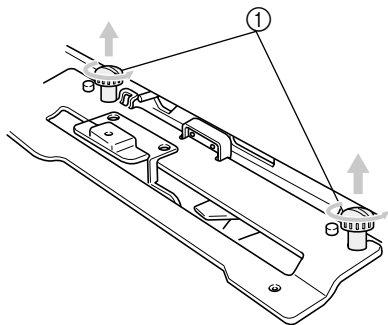
- Retire el separador de la placa de la aguja desde la parte superior. Podría dañarse si tira de él hacia usted con fuerza.

2 Afloje los dos tornillos de mariposa inferiores.



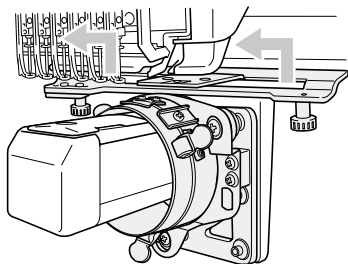
① Tornillo de mariposa

- 3** Saque los dos tornillos de mariposa superiores.



① Tornillos de mariposa

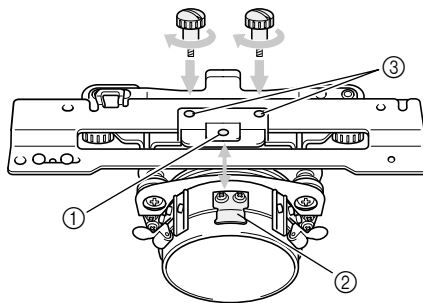
- 4** Retire la guía del bastidor.



Nota

- Asegúrese de que la guía del bastidor no golpea ninguna otra pieza cercana, por ejemplo, el pie prensatela y otras piezas de la máquina.

- 5** Alinee el orificio de la abrazadera de montaje en forma de L de la guía del bastidor con la línea central de la placa de referencia, coloque los dos tornillos de mariposa quitados en el paso 3 en los orificios de la parte superior y, a continuación, apriételos.

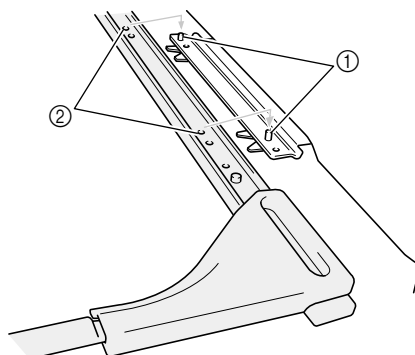


- ① Orificio de la abrazadera de montaje en forma de L
② Línea central de la placa de referencia
③ Orificios de la parte superior

- Coloque los tornillos de mariposa en los orificios donde estaba colocada originalmente la guía del bastidor (orificios de los que se sacaron los tornillos en el paso 3).

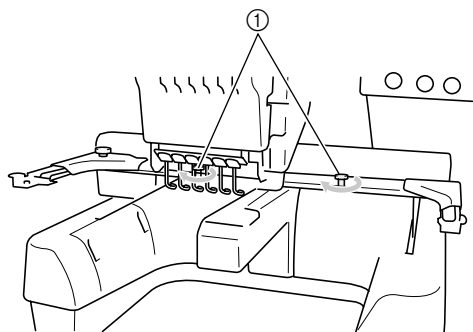
► La parte móvil de la guía del bastidor está bien ajustada.

- 6** Alinee los orificios del soporte del bastidor de bordado con las patillas del carro X y, a continuación, ajuste el soporte del bastidor con los dos tornillos de mariposa.



- ① Patillas del carro X
② Orificios del soporte del bastidor

7 Ajuste el soporte del bastidor con los dos tornillos de mariposa.



- ① Utilice los tornillos de mariposa que se incluyen con la máquina de bordar (los tornillos que se quitaron en el paso ① en la página 37).



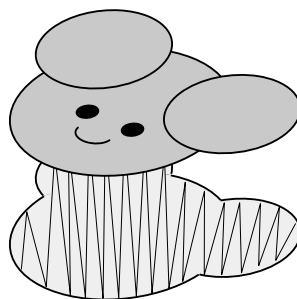
Recuerde

- Utilizando el destornillador en forma de disco que se suministra con la máquina de bordar, apriete bien los tornillos de mariposa.

Información digitalizada adicional

Para evitar que los diseños no queden alineados debido a tejidos arrugados o estirados, tome las siguientes medidas de precaución cuando cree datos de bordado para el bastidor cilíndrico.

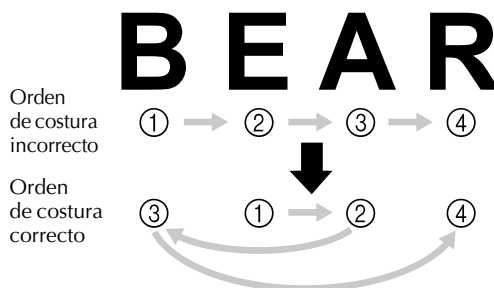
1 Cosa puntadas de refuerzo.



2 Especifique el orden y la dirección de costura para comenzar en el centro del diseño de bordado y cosa hacia la izquierda y la derecha.

Con esta máquina de bordar, el orden en el que están seleccionados los diseños será el mismo en el que se coserán.

Para el ejemplo siguiente, seleccione los diseños en el orden "E" -> "A" -> "B" -> "R" para crear el diseño combinado "BEAR".

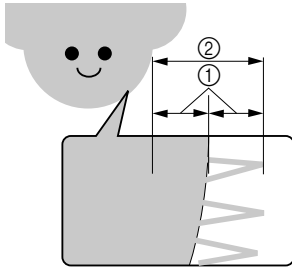


Nota

- No cosa de un extremo al otro, de lo contrario el tejido podría arrugarse o encogerse.

3

Cuando cosa contornos de diseños, asegúrese de que la anchura de la puntada para satén sea al menos de 3 mm y que la costura se solape al tejido al menos 1,5 mm. Compruebe también que no hay saltos de puntadas largas en el contorno de cada zona o letra.

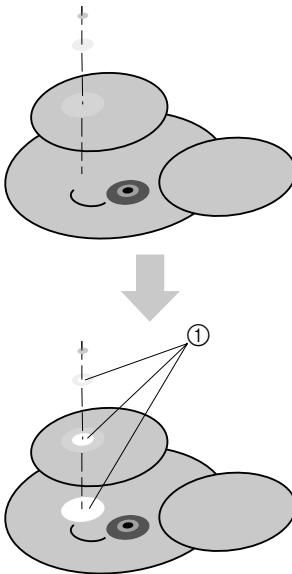


- ① 1,5 mm o más
- ② 3 mm o más



Nota

- No cosa más de cuatro capas solapadas.



- ① Cree los datos de manera que no se cosan las zonas solapadas.

