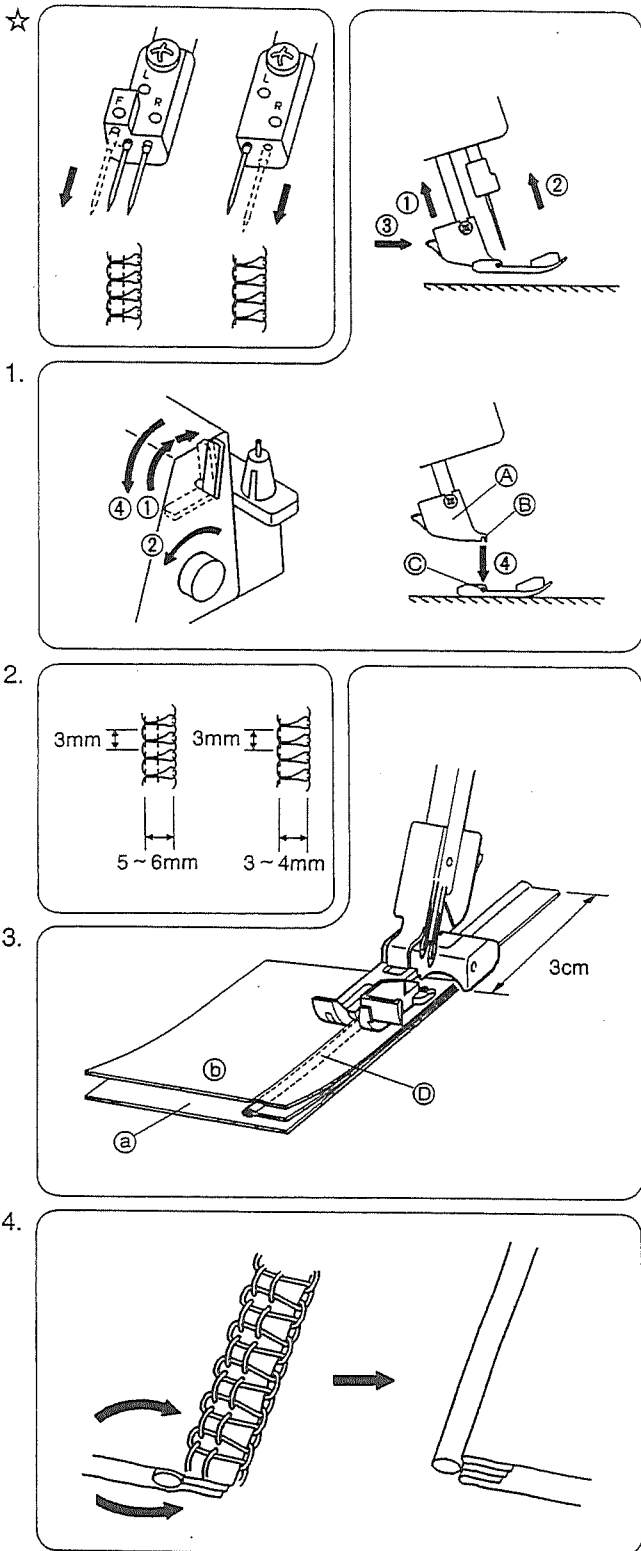
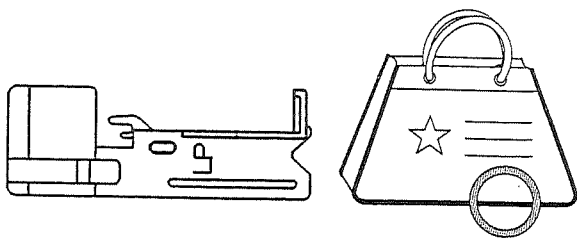


HOW TO USE PIPING FOOT

Usable for all models

No. X76668-002.



FEATURES

By using this Piping foot, you can obtain piping at the edge of material.

The piping is useful to decorate on edge of wares (pajamas, sports ware), cover for furniture, cushion, bag, etc.

To use this Piping foot, follow following instructions.

★ Machine setting (type of stitch)

- 2 needle 4 thread overlock
- 1 needle 3 thread overlock (In case of 2 needle type machine, use left needle only.)
- ※ 1 needle 2 thread overlock and double chain stitch are not acceptable.

1. HOW TO SET PIPING FOOT

- (1) Turn off the main power switch or disconnect the electric supply plug to avoid any possible hazards.
- (2) Raise the presser foot lever and set the needle to its highest position by turning the hand wheel.
- (3) Push the button of the presser foot holder and the standard foot will be disengaged as illustrated.
- (4) Place the piping foot just under the presser foot holder (A) so that the groove (B) of presser foot holder catch pin (C) of the foot when lower the presser foot lever.

2. HOW TO ADJUST THE MACHINE

- (1) Set stitch length at 3 mm. (standard position)
- (2) Set stitch width as follows,
in case of 4 thread overlock 5 - 6 mm
in case of 3 thread overlock 3 - 4 mm
- (3) Adjust thread tension for ordinary overlock stitching.
※ refer to instruction manual of the machine

3. HOW TO SET FABRIC AND PIPING TAPE

- (1) Put piping tape between the 2 pcs of fabric with adjusting the both edge of the fabric as illustrated. Keep 3cm piping tape over the edge of fabric for steady sewing. (The surface of fabric should be inside.)
 ① surface
 ② backside
- (2) Place fabric with piping tape under presser foot and put the piping tape into the groove (D) of piping foot and start sewing.

4. HOW TO SEW

- (1) Guide the fabric and piping tape by hands certainly during sewing.
- (2) Turn the both fabric after sewing.

- NOTE!**
- 1) It is better to bast the both fabric and piping tape before sewing for easy sewing.
 - 2) Piping sewing is difficult at an acute angle.
 - 3) In case of wide piping tape, you should sew it with cutting the excess part.