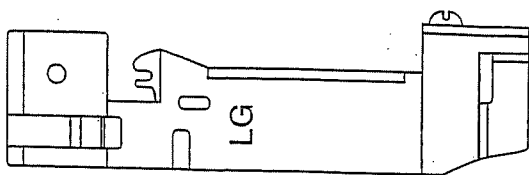


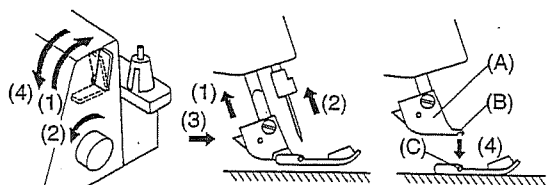
USING THE GATHERING FOOT

Usable with all models

No. X77460-001



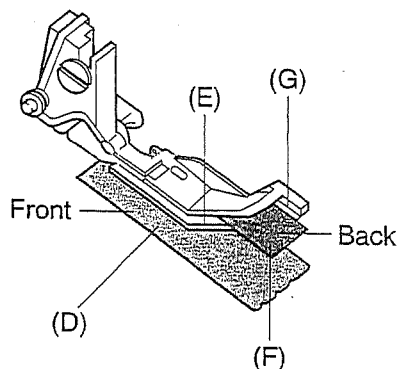
1.



1. SETTING THE GATHERING FOOT

- (1) Turn off the main power switch or disconnect the electric supply plug to avoid any possible hazards.
- (2) Raise the presser foot lever and set the needle to its highest position by turning the handwheel.
- (3) Push the button on the presser foot holder and the standard foot will be disengaged as illustrated.
- (4) Place the gathering foot just under the presser foot holder (A) so that the groove (B) on the presser foot holder catches the pin (C) on the foot when the presser foot lever is lowered.

2.



2. SETTING THE FABRIC

- (1) Raise the presser foot lever.
- (2) Set the needle to its highest position by turning the handwheel.
- (3) Position the bottom piece of fabric (the fabric that will be gathered (D)) under the guide (E) just below the needle.
- (4) Position the top piece of fabric (F) between the gathering foot (G) and the guide (E) on top of the bottom fabric (D).
- (5) Lower the presser foot lever.

3. TRIAL SEWING

- (1) Set the stitch length to 3 mm.
 - (2) Set the differential feed ratio to 2.
 - (3) Set the stitch width to 5 mm.
 - (4) Adjust the other settings to those used during normal overlock sewing.
 - (5) Sew while keeping the fabric aligned with the fabric guide (G).
- * Adjust the size of the gathers by setting the stitch length between 2 mm and 5 mm.
 - * Adjust the amount of fabric that is gathered by setting the differential feed ratio between 1.0 and 2.0.

NOTE:

Do not pull or stretch the bottom fabric.

